



ROTATING SEWER JETTING NOZZLE

UNPARALLELED CUTTING POWER, UNRIVALED CLEANING

The Reaper is the most powerful rotating sewer jetting nozzle in the industry, designed to hit specific angles that shorten the time it takes to cut through blockages.

Its forceful front stream rotates at 24- or 30-degrees to cut through and clear blockages, while its 20-degree rear jets propel the nozzle forward to meet any challenge.

FROM THE DRAIN TO THE MAIN

In 2022, we added a 1/4" option to the Reaper family to service smaller pipes and equip residential plumbers with industrial strength. Now, our four options (1", 1/2", 3/8", and 1/4") give you a Reaper to clear pipes from the house, to the main, and beyond!

IMPROVE EFFICIENCY

Optimized stream quality results in greater impingement to complete jobs faster and use less water than the competition. The Reaper allows you to use one tool for all your sewer jetting needs (cutting, cleaning, removal, etc.) with maximum clearing, cutting, thrusting, and pulling power.

RELY ON THE REAPER

Heavy-duty construction with stainless steel housing and carbide wear surfaces to withstand harsh environments and extend the nozzle's life. If something does go wrong, our repair kits have you back up and running in just 10 minutes.



"Optimized stream quality results in greater impingement, allowing the use of one tool for various applications like cutting, cleaning, removal, and more."

Joshua Rangel, President
All County Plumbing, Inc.



SUPERIOR THRUSTING POWER

The Reaper simultaneously clears and cleans by combining a powerful rotating front stream that cuts through blockages and cleans the pipe walls, while the back streams propel the nozzle forward to meet the challenge.

The rear jets have proven to pull a line up to 800 feet!



ATTACK THE TOUGHEST BLOCKAGES

What's the best way to clear a blockage with the Reaper? Follow these two easy steps!

1. Feed the nozzle all the way to the troubled spot.
2. Pull back the hose to run into the blockage (6"-12" depending on pipe size).

This ensures the front rotating stream hits the full diameter of the pipe to cut the blockage at its most outer point and clear the blockage with maximum power and efficiency.



DESIGN FEATURES

- Stainless steel housing and tungsten carbide wear surfaces
- Spray angles optimized for maximum pulling, thrusting and cleaning power
- Fully field-repairable – Repair kits get you back up and running in about 10 minutes
- Greater impingement allows you to cut through the blockages faster, completing more jobs in a day

SPRAY CHARACTERISTICS

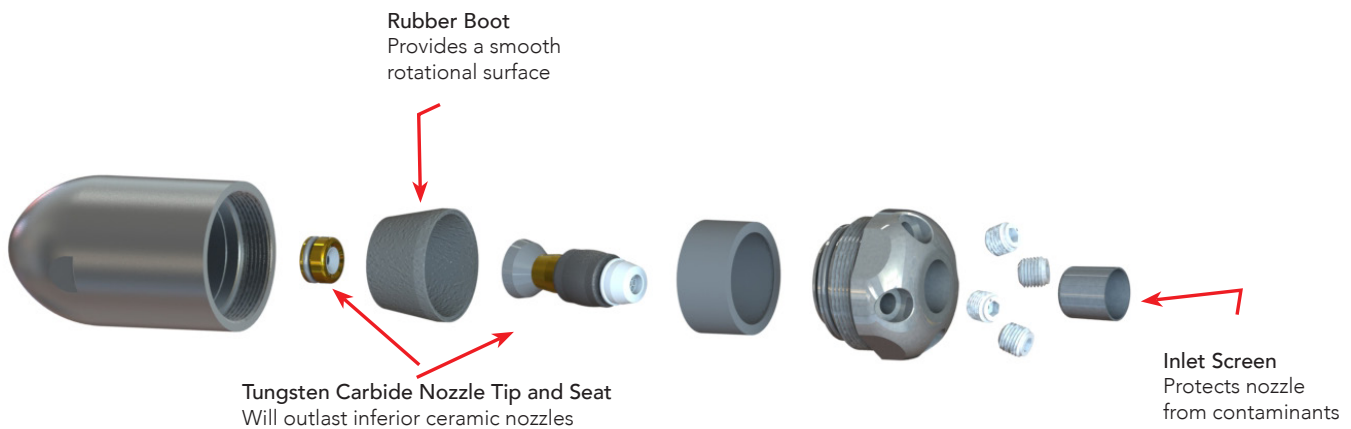
- Front Jet Spray Angle:
24 (3/8") or 30-degree (1/4", 1/2", 1")
- Rear Jets Spray Angles: 20-degree angle
- Flow Rates: 3.7 – 74.5 GPM
- Inlet Pressure: 1,500 – 4,000 PSI
(1" maximum 3,000 PSI)
- Nozzle Sizes: #6.0 – #80.0

APPLICATIONS

- Municipal Sewer Cleaning
- Commercial and Residential Drain Cleaning
- Paraffin Wax Removal
- FOG Removal
- Root Removal



REAPER EXPLODED VIEW



ROTOR REPAIR KIT*



1/4" Repair Kit does not include top insert, boot is plastic, and rotor assembly looks slightly different.

REAR JET REPAIR KIT*

3/8" & 1/2"



1"



Not available for the 1/4" Reaper

DOMES INLET SCREENS

Sold in packs of 10



Part Numbers

1/4": 1003514 1/2": 1003034
3/8": 1003033 1": 1003162

*See back page for part numbers

2.2" (55.9mm)



1.2" (30.5mm)

REAPER 1/4"

Pipe Size: Ideal for 2-4" pipes
Flow Rating: 3.7-8 GPM
Front Nozzle Angle: 30 Degrees
Rear Jets: 3 or 4 at 20 degrees
Maximum PSI Rating: 4,000 PSI

3.3" (83.8mm)



1.6" (104.1mm)

REAPER 3/8"

Pipe Size: Ideal for 3-6" pipes
Flow Rating: 3.7-12 GPM
Front Nozzle Angle: 24 Degrees
Rear Jets: 4 at 20 degrees
Maximum PSI Rating: 4,000 PSI

3.4" (86.4mm)



1.9" (48.3mm)

REAPER 1/2"

Pipe Size: Ideal for 4-8" pipes
Flow Rating: 7.3-24 GPM
Front Nozzle Angle: 30 Degrees
Rear Jets: 4 at 20 degrees
Maximum PSI Rating: 4,000 PSI

4.2" (106.7mm)



2.9" (73.7mm)

REAPER 1"

Pipe Size: Ideal for 6-18" pipes
Flow Rating: 28.3-74.5 GPM
Front Nozzle Angle: 30 Degrees
Rear Jets: 8 at 20 degrees
Maximum PSI Rating: 3,000 PSI

NOZZLE SIZE	FNPT NOZZLE PART NUMBER	BSPP NOZZLE PART NUMBER	ROTOR REPAIR KIT PART NUMBER	REAR JET REPAIR KIT	FLOW RATE CHART					
					@1,500 PSI (103 Bar)	@2,000 PSI (138 Bar)	@2,500 PSI (172 Bar)	@3,000 PSI (207 Bar)	@3,500 PSI (241 Bar)	@4,000 PSI (276 Bar)
1/4" NOZZLE - IDEAL FOR 2" - 4" OR 50MM - 100MM PIPES										
6.0	1003521-060	1003522-060	1003513	--	3.7 GPM (14.0 LPM)	4.2 GPM (15.9 LPM)	4.7 GPM (17.8 LPM)	5.2 GPM (19.7 LPM)	5.6 GPM (21.2 LPM)	6.0 GPM (22.7 LPM)
8.0	1003521-080	1003522-080	1003513	--	4.9 GPM (18.5 LPM)	5.7 GPM (21.6 LPM)	6.3 GPM (23.8 LPM)	6.9 GPM (26.1 LPM)	7.5 GPM (28.4 LPM)	8.0 GPM (30.2 LPM)
3/8" NOZZLE - IDEAL FOR 3" - 6" OR 90mm - 180mm PIPES										
6.0	1003031-060	1003204-060	1003029-060	1003030-060	3.7 GPM (14.0 LPM)	4.2 GPM (15.9 LPM)	4.7 GPM (17.8 LPM)	5.2 GPM (19.7 LPM)	5.6 GPM (21.2 LPM)	6.0 GPM (22.7 LPM)
9.0	1003031-090	1003204-090	1003029-090	1003030-090	5.5 GPM (20.8 LPM)	6.4 GPM (24.2 LPM)	7.1 GPM (26.9 LPM)	7.8 GPM (29.5 LPM)	8.4 GPM (31.8 LPM)	9.0 GPM (34.1 LPM)
12.0	1003031-120	1003204-120	1003029-1224	1003030-120	7.3 GPM (27.6 LPM)	8.5 GPM (32.2 LPM)	9.5 GPM (36.0 LPM)	10.4 GPM (39.4 LPM)	11.2 GPM (42.4 LPM)	12.0 GPM (45.4 LPM)
1/2" NOZZLE - IDEAL FOR 4" - 8" OR 110mm - 225mm PIPES										
12.0	1003032-120	1003205-120	1003029-1230	1003030-120	7.3 GPM (27.6 LPM)	8.5 GPM (32.2 LPM)	9.5 GPM (36.0 LPM)	10.4 GPM (39.4 LPM)	11.2 GPM (42.4 LPM)	12.0 GPM (45.4 LPM)
15.0	1003032-150	1003205-150	1003029-150	1003030-150	9.2 GPM (34.8 LPM)	10.6 GPM (40.1 LPM)	11.9 GPM (45.0 LPM)	13.0 GPM (49.2 LPM)	14.0 GPM (53.0 LPM)	15.0 GPM (56.8 LPM)
18.0	1003032-180	1003205-180	1003029-180	1003030-180	11.0 GPM (41.6 LPM)	12.7 GPM (48.1 LPM)	14.2 GPM (53.8 LPM)	15.6 GPM (59.1 LPM)	16.8 GPM (63.6 LPM)	18.0 GPM (68.1 LPM)
24.0	1003032-240	1003205-240	1003029-180	1003030-240	14.7 GPM (55.6 LPM)	17.0 GPM (64.4 LPM)	19.0 GPM (71.9 LPM)	20.8 GPM (78.7 LPM)	22.4 GPM (84.8 LPM)	24.0 GPM (90.8 LPM)
1" NOZZLE - IDEAL FOR 6" - 18" OR 180mm - 460mm PIPES										
40.0	1003155-400	1003206-400	1003029-180	1003163-400	28.2 GPM (106.7 LPM)	32.5 GPM (123.0 LPM)	36.4 GPM (137.8 LPM)	39.8 GPM (150.7 LPM)		
60.0	1003155-600	1003206-600	1003029-180	1003163-600	42.9 GPM (162.4 LPM)	49.5 GPM (187.4 LPM)	55.3 GPM (209.3 LPM)	60.6 GPM (229.4 LPM)		
80.0	1003155-800	1003206-800	1003029-180	1003163-800	52.7 GPM (199.5 LPM)	60.8 GPM (230.2 LPM)	68.0 GPM (257.4 LPM)	74.5 GPM (282.0 LPM)		