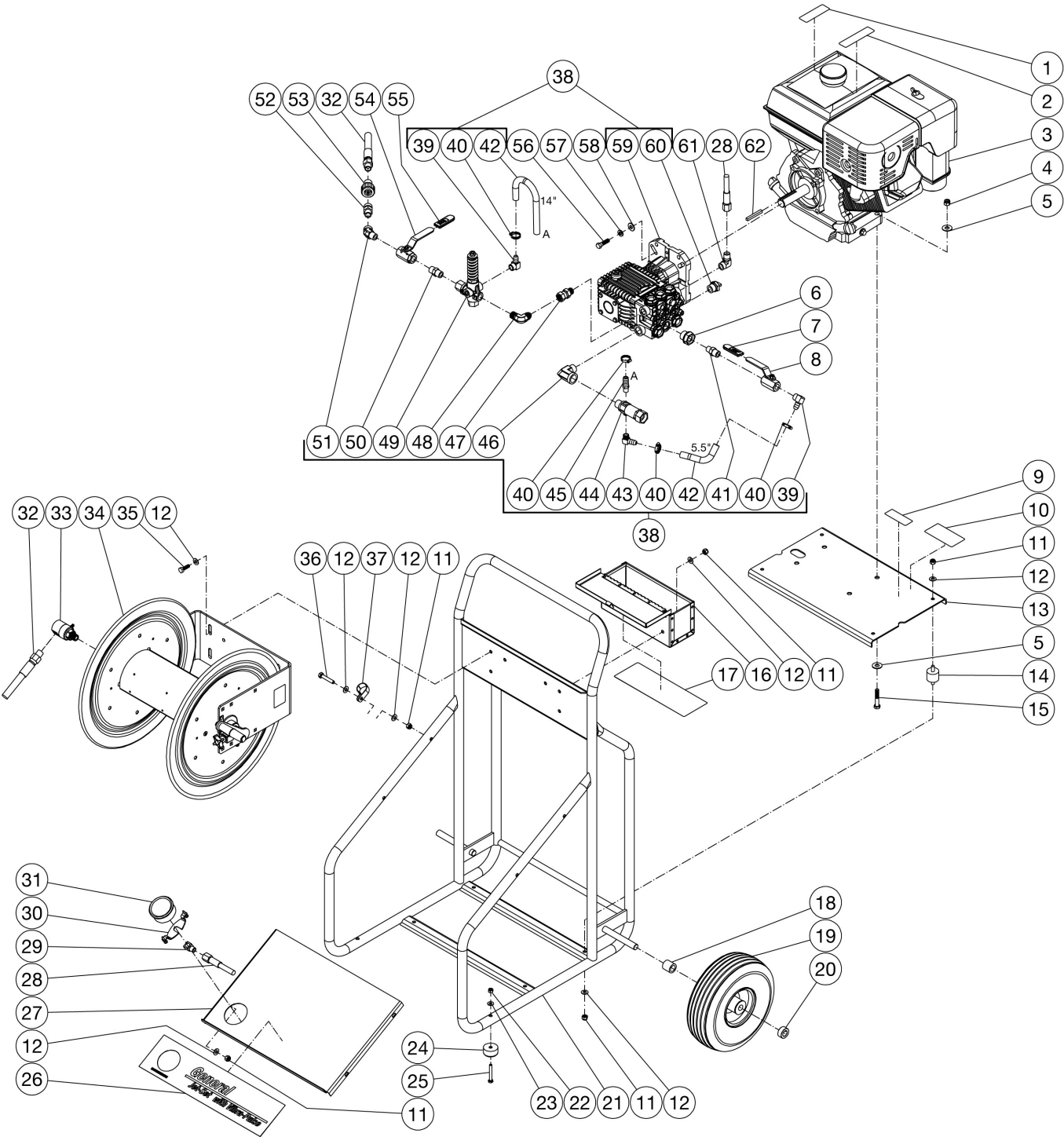


JM-2900 PARTS LIST

ITEM	DESCRIPTION	PART #	QTY	ITEM	DESCRIPTION	PART #	QTY
1	DECAL - RISK OF FIRE (SEE JM71-0002)	N/A	1	33	3/8" SWIVEL	JM24-0362	1
2	DECAL - RISK OF BURNS (SEE JM71-0002)	N/A	1	34	HOSE REEL	JM50-0221	1
3	ENGINE - HONDA	JM1-0086	1	35	BOLT	JM27-0067	5
4	LOCKNUT	JM30-0159	4	36	BOLT	JM27-0070	4
5	WASHER	JM28-0023	8	37	CLIP	JM33-0291	1
6	VALVE CAP	JM46-1427	1	38	TX1510G8 PUMP W/ EXTERNAL BYPASS	JM851-0427	1
7	HANDLE GRIP	JM7-0227	1	39	ELBOW	JM23-0050	2
8	BALL VALVE	JM22-0494	1	40	HOSE CLAMP	JM42-0011	4
9	DECAL - PROP 65	N/A	1	41	NIPPLE	JM24-0146	1
10	DECAL- SILVER STICKER	N/A	1	42	HOSE *(TWO FEET REQUIRED)	JM15-0007	1
11	LOCKNUT	JM30-0157	17	43	ELBOW	JM23-0119	1
12	WASHER	JM28-0003	26	44	FILTER	JM19-0207	1
13	ISOLATION PLATE	JM5-0308A64	1	45	HOSE BARB	JM23-0120	1
14	ISOLATOR	JM14-0097	4	46	ELBOW	JM24-0006	1
15	BOLT	JM27-0121	4	47	SWIVEL	JM24-0037	1
16	COMPONENT TOOL BOX	JM20-1213A64	1	48	ELBOW	JM24-0092	1
17	DECAL - WARNING/OPERATION (SEE JM71-0002)	N/A	1	49	UNLOADER	JM8-0634	1
18	SPACER	JM62-0188	2	50	NIPPLE	JM24-0010	1
19	WHEEL	JM14-0130	2	51	ELBOW	JM24-0042	1
20	COLLAR	JM33-0351	2	52	SCREW NIPPLE	JM23-0493	1
21	FRAME	JM5-0303A64	1	53	SCREW COUPLER	JM23-0490	1
22	LOCKNUT	JM30-0155	2	54	BALL VALVE	JM22-0461	1
23	WASHER	JM28-0002	2	55	HANDLE GRIP	JM7-0226	1
24	ISOLATOR	JM14-0069	2	56	BOLT	JM27-0118	4
25	BOLT	JM27-0020	2	57	LOCKWASHER	JM29-0008	4
26	DECAL - MARKETING	N/A	1	58	WASHER	JM28-0022	4
27	GAUGE PANEL	JM20-1217A64	1	59	PUMP	JM3-0439	1
28	HIGH PRESSURE HOSE	JM15-0309	1	60	RELIEF VALVE	JM22-0005	1
29	ELBOW	JM23-0014	1	61	ELBOW	JM24-0004	1
30	U CLAMP	JM13-0211	1	62	KEY	JM43-0078	1
31	PRESSURE GAUGE	JM22-0465	1	-	DECAL SET	JM71-0002	1
32	HIGH PRESSURE HOSE	JM15-0312	1				

*MUST ORDER IN ONE FOOT LENGTHS

DATE	SERIAL #	BREAK	REASON FOR CHANGE
06/12/2018	28005527		Main unit assembly and pump change
01/29/2019	28006259		Changed hose reel

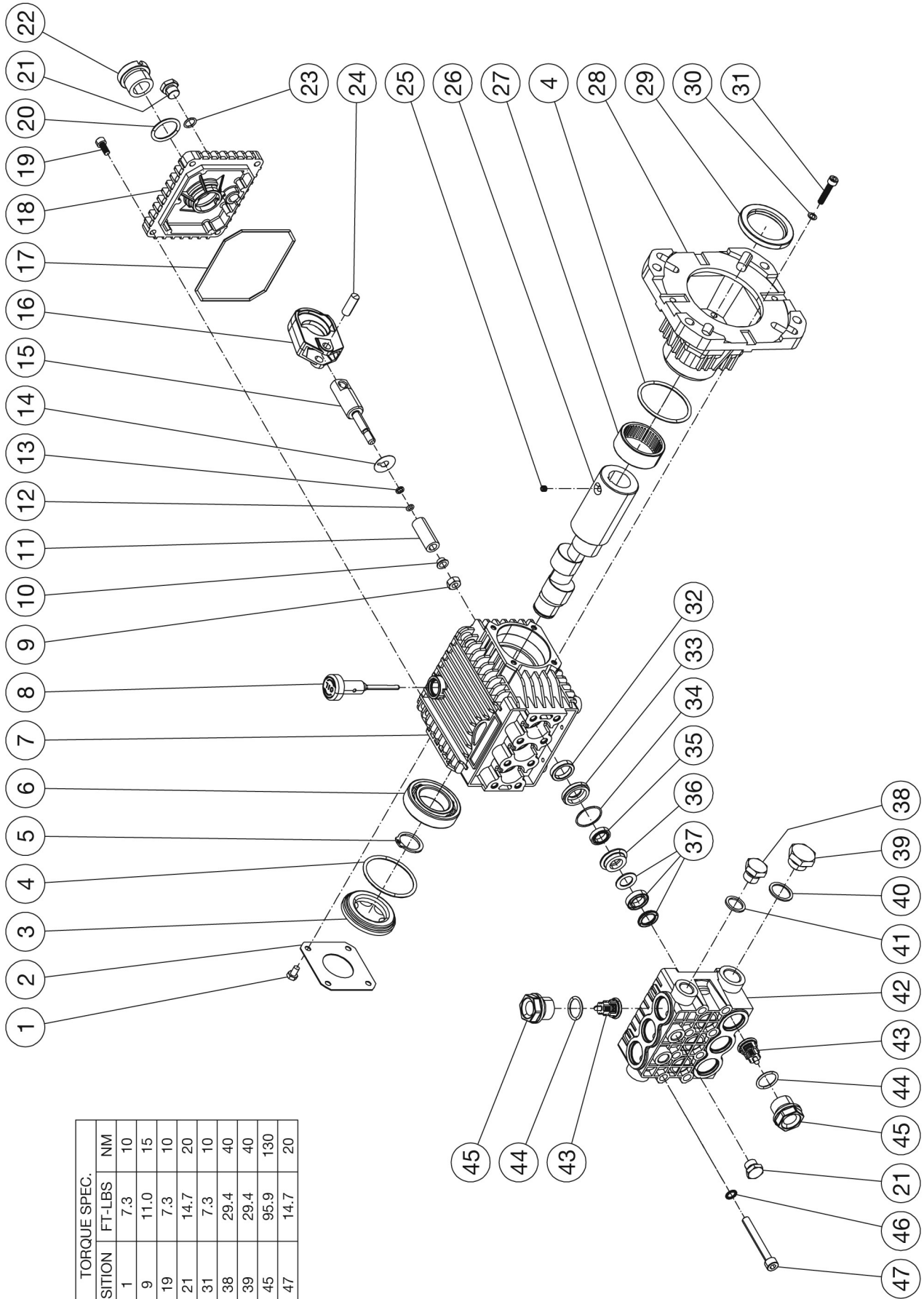


JM-2900 PUMP ASSEMBLY PARTS LIST

ITEM	DESCRIPTION	PART #	QTY	ITEM	DESCRIPTION	PART #	QTY
1	BOLT	JM27-8000	4	25	SET SCREW	JM27-8886	1
2	RETAINER	JM46-0084	1	26	CRANKSHAFT	JM46-1168	1
3	OIL LEVEL INDICATOR	JM46-0574	1	27	BEARING	JM48-0040	1
4	O-RING	JM25-0060	2	28	FLANGE	JM38-0038	1
5	SNAP RING	JM46-0104	1	29	OIL SEAL	JM26-0181	1
6	BALL BEARING	JM48-0011	1	30	LOCKWASHER	JM29-0153	4
7	CRANKCASE	JM46-1166	1	31	BOLT	JM27-8404	4
8	DIPSTICK	JM46-0143	1	32	OIL SEAL (SEE KIT 70-0414)	SEE KIT	3
9	NUT	JM46-0168	3	33	SEAL (SEE KIT 70-0415 OR 70-0698)	SEE KIT	3
10	WASHER GASKET	JM46-1231	3	34	O-RING (SEE KIT 70-0415)	SEE KIT	3
11	PLUNGER	JM46-0228	3	35	SEAL (SEE KIT 70-0669 OR 70-0415)	SEE KIT	3
12	O-RING	JM25-0714	3	36	INT. SEAL RETAINER (SEE KIT 70-0415 OR 70-0699)	SEE KIT	3
13	RING	JM25-0143	3	37	PACKING ASSEMBLY (SEE KIT 70-0669 OR 70-0415)	SEE KIT	9
14	SLINGER WASHER	JM28-1049	3	38	PLUG	JM39-0018	1
15	PLUNGER GUIDE	JM46-1165	3	39	PLUG	JM39-0019	1
16	CONNECTING ROD	JM46-1160	3	40	WASHER	JM28-1038	1
17	O-RING	JM25-0317	1	41	WASHER	JM28-0600	1
18	CRANKCASE COVER	JM46-1164	1	42	MANIFOLD	N/A	1
19	BOLT	JM27-8401	4	43	VALVE ASSEMBLY (SEE KIT 70-0028)	JM46-0565	6
20	O-RING	JM25-0059	1	44	O-RING (SEE KIT 70-0668)	JM25-0012	6
21	PLUG	JM39-0017	2	45	VALVE PLUG (SEE KIT 70-0668)	JM39-0071	6
22	SIGHT GLASS	JM46-1163	1	46	LOCKWASHER	JM29-1014	8
23	O-RING	JM25-0210	1	47	BOLT	JM27-9576	8
24	PIN	JM46-1162	3				

REPLACEMENT KITS

KIT #	DESCRIPTION
JM70-0028	VALVE KIT (INC. 6 OF 43)
JM70-0668	VALVE PLUG (INC. 6 OF 44, 45)
JM70-0414	OIL SEAL (INC. 3 OF 32)
JM70-0669	PACKING SEALS (INC. 3 OF 35, 37)
JM70-0698	RETAINER SEAL (INC 3 OF 33)
JM70-0699	INTERMED RING (INC. 3 OF 36)
JM70-0415	PACKING W/BRASS (INC. 33-37)



TORQUE SPEC.		
POSITION	FT-LBS	NM
1	7.3	10
9	11.0	15
19	7.3	10
21	14.7	20
31	7.3	10
38	29.4	40
39	29.4	40
45	95.9	130
47	14.7	20