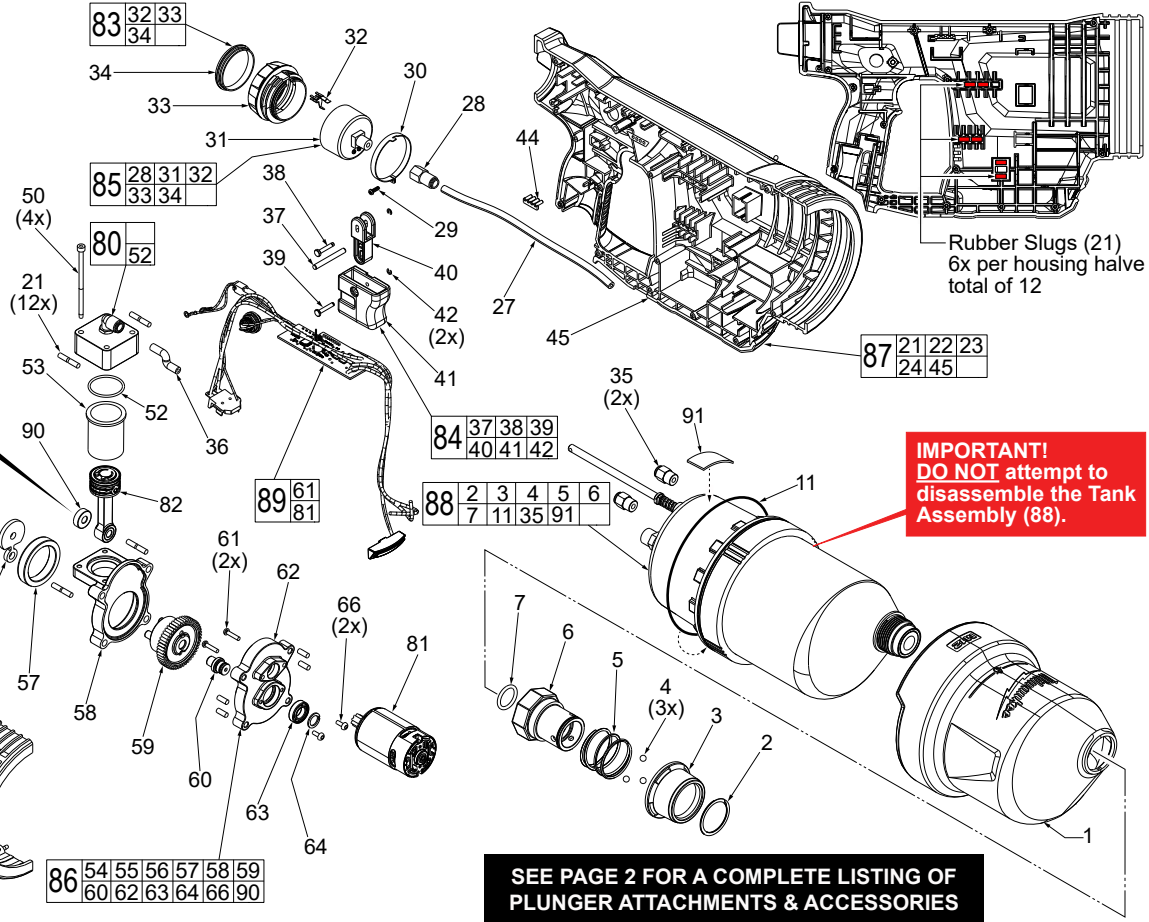
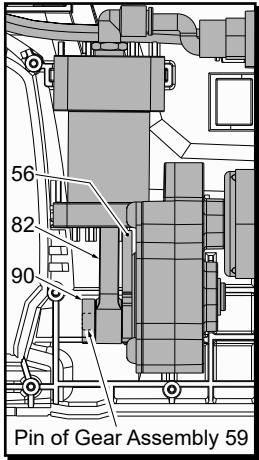




# SERVICE PARTS LIST

**BULLETIN NO.**  
**54-05-0180**

SPECIFY CATALOG NO. AND SERIAL NO. WHEN ORDERING PARTS		REVISED BULLETIN	DATE
<b>M12™ AIRSNAKE™ Power Plunger</b>			Mar. 2018
CATALOG NO.	<b>2572-20</b>	WIRING INSTRUCTION	
STARTING SERIAL NO.	<b>H94A</b>	<b>See Page Three</b>	



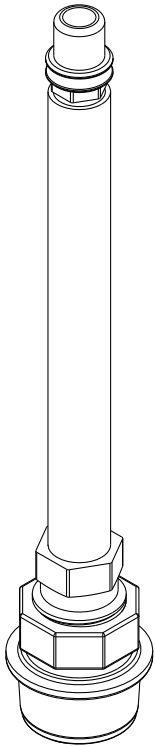
**SEE PAGE 2 FOR A COMPLETE LISTING OF PLUNGER ATTACHMENTS & ACCESSORIES**

FIG.	PART NO.	DESCRIPTION OF PART	NO. REQ.
1	45-12-0085	Rubber Boot	(1)
2	34-80-0040	Retaining Ring	(1)
3	45-22-0475	Sliding Sleeve	(1)
4	02-02-0055	Detent Ball	(3)
5	40-50-1195	Quick Connect Spring	(1)
6	-----	Quick Connect Housing	(1)
7	34-40-0460	O-Ring	(1)
11	34-40-0455	O-Ring	(1)
21	45-30-0255	Rubber Slug	(12)
22	-----	Housing Cover (Left Housing Halve)	(1)
23	06-82-1080	M3 x 14mm Pan Hd. ST T-10 Screw	(15)
24	12-20-2502	Service Nameplate	(1)
27	43-75-0065	Rubber Hose (Long)	(1)
28	-----	Quick Connector	(1)
29	06-82-0215	Pan Hd. ST Phillips Screw	(1)
30	34-60-0155	Slip Ring	(1)
31	-----	Pressure Gauge Body Assembly	(1)
32	-----	Contact Plate	(1)
33	-----	Pressure Gauge Rotating Dial Cover	(1)
34	-----	Pressure Gauge Lens	(1)
35	42-04-0030	Quick Connector	(2)
36	43-75-0060	Rubber Hose (Short)	(1)
37	-----	Rocker Pin	(1)
38	-----	Connector Pin	(1)
39	-----	Connector Pin	(1)
40	-----	Trigger Rocker	(1)
41	-----	Trigger	(1)
42	42-70-0525	E-Ring	(2)
44	31-01-0235	Fuel Gauge Light Pipe	(1)
45	-----	Housing Support (Right Housing Halve)	(1)
50	05-74-0005	Hex Socket Cap Hd. Machine Screw	(4)
52	34-40-0400	O-Ring	(1)
53	42-98-0070	Compressor Cylinder	(1)
54	06-82-5574	10-24 x .875 Pan Hd. Tapt. T-25 Screw	(4)
55	-----	End Plate	(1)
56	42-88-0070	Counter Balance	(1)
57	-----	Gear Case Bushing	(1)
58	-----	Gear Case Cover	(1)

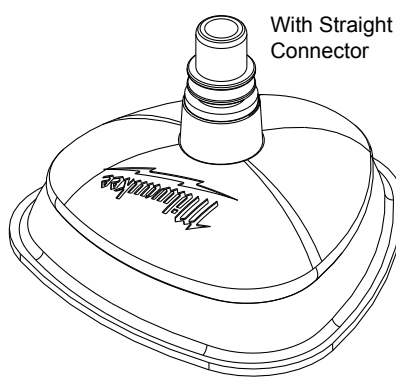
FIG.	PART NO.	DESCRIPTION OF PART	NO. REQ.
59	-----	Gear Assembly	(1)
60	-----	Pin	(1)
61	06-82-0210	M3 x 14mm Pan Hd. Phillips Screw	(2)
62	-----	Gear Case	(1)
63	-----	Ball Bearing	(1)
64	34-60-0170	Retaining Ring	(1)
66	06-82-0205	M3 x 6mm Pan Washer Hd. Tapt. Screw	(2)
80	43-64-0015	Cylinder Head Assembly	(1)
81	-----	Motor and Pinion Assembly	(1)
82	44-62-0235	Piston Assembly	(1)
83	42-92-0205	Pressure Gauge Cover Assembly	(1)
84	45-72-0050	Trigger and Rocker Assembly	(1)
85	43-46-0025	Pressure Gauge Assembly	(1)
86	14-30-0320	Gear Box Assembly	(1)
87	31-44-2575	Housing Halve Assembly	(1)
88	45-66-0075	Tank Assembly	(1)
89	14-20-0410	Electronics and Motor Assembly	(1)
90	44-86-2572	Press Ring	(1)
91	44-52-0405	Rubber Pad	(1)

**FIG. NOTES**  
24 A clean, dry surface is essential for proper performance for any adhesive system. The area intended for application of any adhesive label or nameplate must be prepared by cleaning with isopropyl alcohol. The solvent is to be applied with a clean, lint free applicator and the surface allowed to dry before applying the label or nameplate.

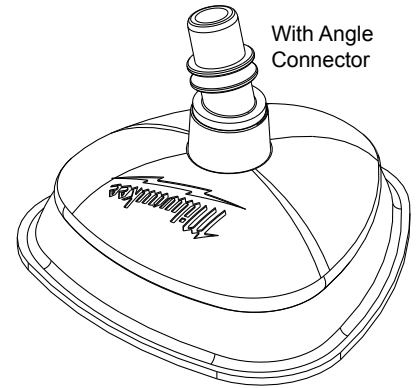
59,90 Press the press ring onto drive pin of gear assembly. Press flush to the end of pin.



**AIRSNAKE™ 10'' Extension Service Assembly**  
No. 48-53-2570



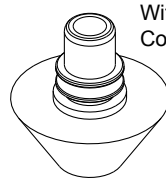
With Straight Connector



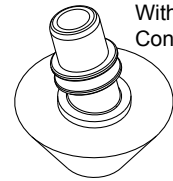
With Angle Connector

**AIRSNAKE™ Universal Plunger Assembly**

No. 44-70-0095 contains 1 straight connector, 1 angle connector, 1 plunger assy.



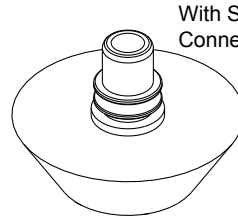
With Straight Connector



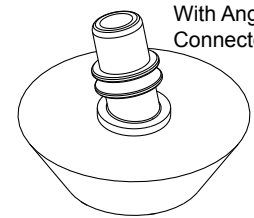
With Angle Connector

**AIRSNAKE™ Small Plug Assembly**

No. 44-68-0025 contains 1 straight connector, 1 angle connector, 1 small plug



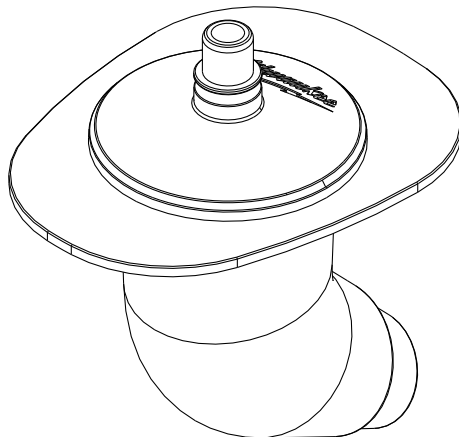
With Straight Connector



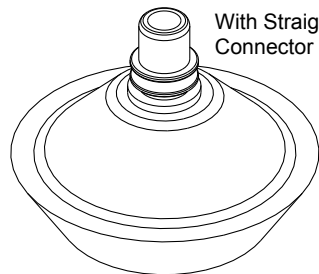
With Angle Connector

**AIRSNAKE™ Medium Plug Assembly**

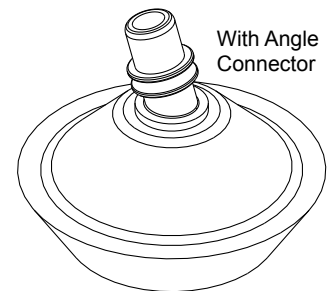
No. 44-68-0030 contains 1 straight connector, 1 angle connector, 1 medium plug



**AIRSNAKE™ Toilet Attachment Assembly**  
No. 42-04-0035



With Straight Connector

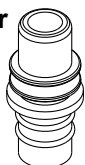


With Angle Connector

**AIRSNAKE™ Large Plug Assembly**

No. 44-68-0035 contains 1 straight connector, 1 angle connector, 1 large plug

**Straight Connector**  
No. 42-86-0015

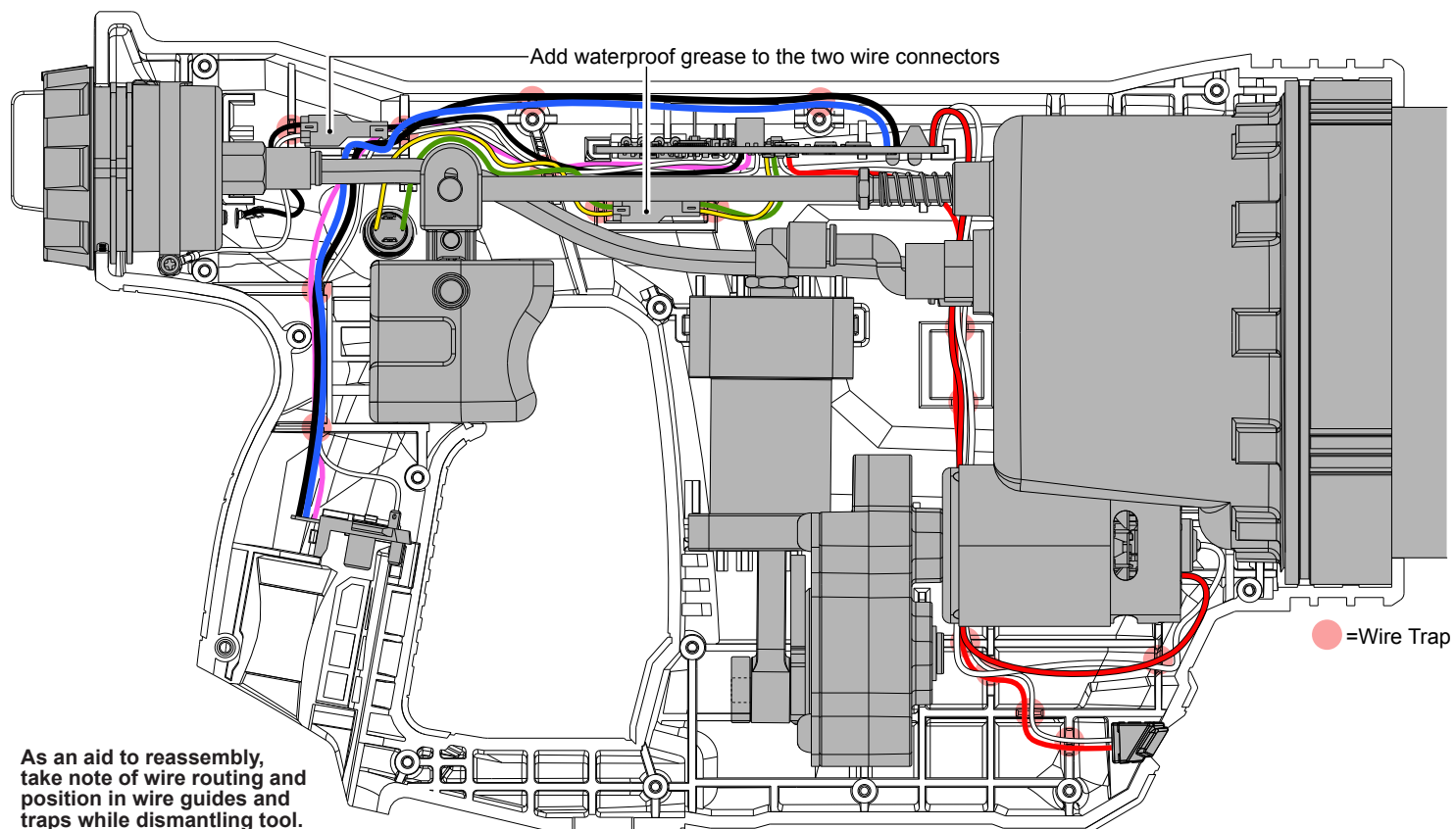
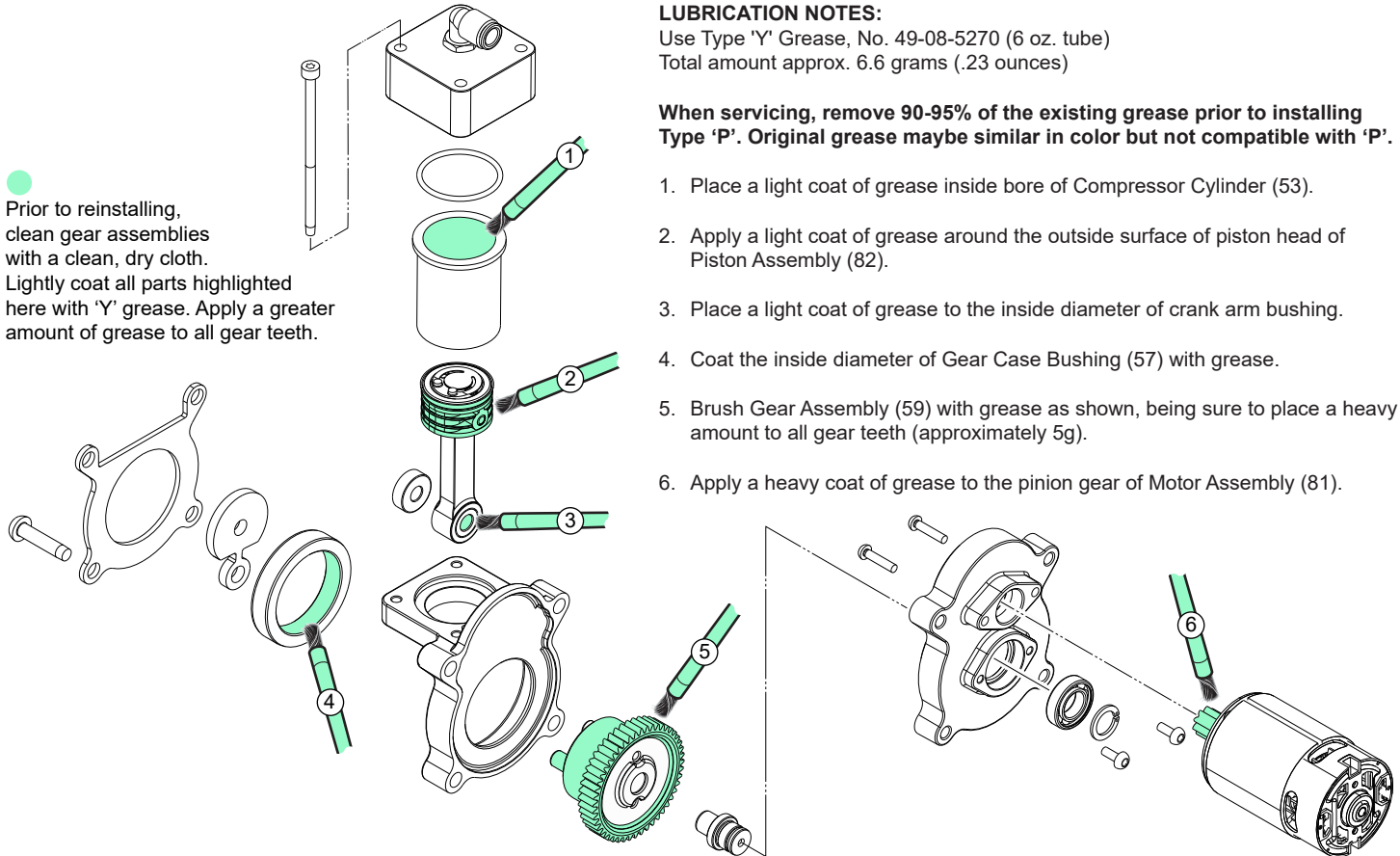


**Angle Connector**  
No. 42-86-0010



**Blow Molded Carrying Case**  
No. 42-55-2572

● Prior to reinstalling, clean gear assemblies with a clean, dry cloth. Lightly coat all parts highlighted here with 'Y' grease. Apply a greater amount of grease to all gear teeth.



As an aid to reassembly, take note of wire routing and position in wire guides and traps while dismantling tool.

Be careful and avoid pinching wires between handle halves when reassembling. Be sure all mechanical components are firmly and squarely seated in housing support (left housing half). Be sure all wires are tucked completely down in wire traps and that there is no interference prior to installing housing cover (right housing half). Check for proper functionality of trigger and pressure gauge dial. Install battery and make sure tool operates properly.