

COLOR PIPE & WALL INSPECTION SYSTEM

Model No. SWJ-3188

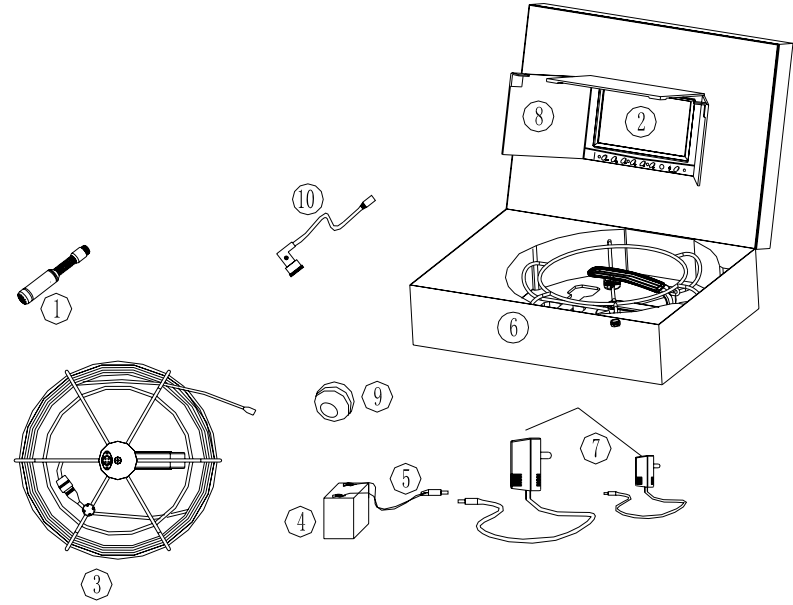
ASSEMBLY AND OPERATING INSTRUCTION



Read these instructions completely before operating this system

Specifications

Battery	Sealed , Lead Acid(with fuse)
Maximum Camera Depth	60() / 100() Feet (Length of Cable)
Camera Light Source	Built-in iWHITE LED
Input Voltage	12 Volts DC
Camera Operating Temperature	-20°to 120°F
Camera Angle-of-View	60°(horizontal),60°(vertical)
Camera Depth-of-View	400mm(approximate)
Monitor Image	color
Camera Image	color
Monitor Picture Resolution	320(TV Lines)
Monitor Input Voltage	12 Volts DC
Monitor Operating Temperature	-20°to 120°F



Save This Manual

You will need the manual for the safety warnings and precautions, assembly instructions,

Troubleshooting

If the system is not operating properly, by displaying a rolling, shrunk, or unstable picture, Check all of the connections. Next, make sure the Battery (13) is fully charged. Also, check to Make sure the fuse on the Battery (13) is good. If the system still does not work properly, take The system to an authorized service technician.

Assembly Drawing and Parts List

Part No.	Description
1	Camera
2	Monitor
3	65() / 100() Feet Cable WITH WHEEL (LONG)
4	Battery
5	Battery Cord
6	Case
7	Adapter (TWO) RECHARGE ADAPTER AND POWER SUPPLY
8	Sunshade
9	BALL PROTECTION
10	SOFT CABLE (SHORT)

Operating and maintenance procedures, parts list and diagram

Connecting the system

Note: This is a 12 Volt DC system and will not work on 24 Volt DC systems; hooking

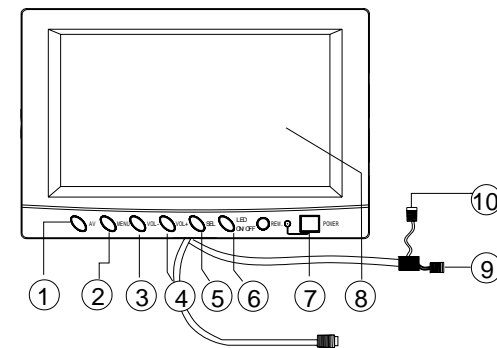
The monitor up to a 24V system can damage or ruin this product.

DC 12 Volt In- Plug in 12 VDC power system here.(7)

Video Out-to be used to record to a VCR.. (9)

LOCATION OF CONTROL

MONITOR FRONT VIEW



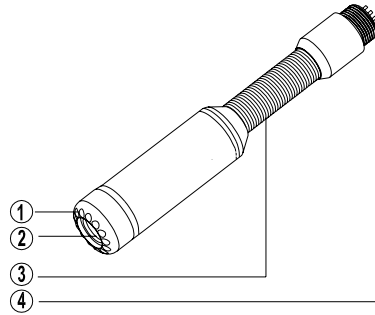
1. AV SELECTOR BOTTON
2. MENU
3. DOWN SELECTOR
4. UP SELECTOR
5. MENU UP/DOWN SELECTOR
6. LED ON/OFF BOTTON
7. POWER SWITCH
8. FLAT TFT SCREEN
9. DC 12V IN
- 10.VIDEO OUT

DC 12 Volt In- Plug in 12 VDC power system here.(7)

Video Out-to be used to record to a VCR.. (9)

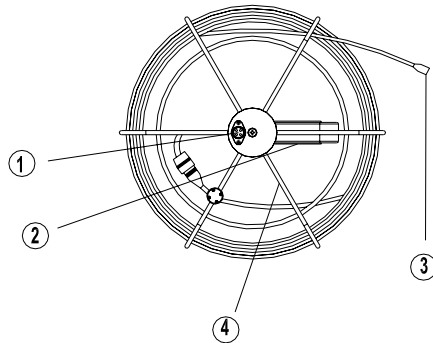
Camera

- 1 . LED
2. LENS
3. SPRING
4. SPRING CONNECTER



FIBERGLASS ROLLER

- 1 . MALE PLUG (TO MONITOR)
2. HANDLE
3. CONNECTER (TO CAMERA)
4. METAL WHEEL

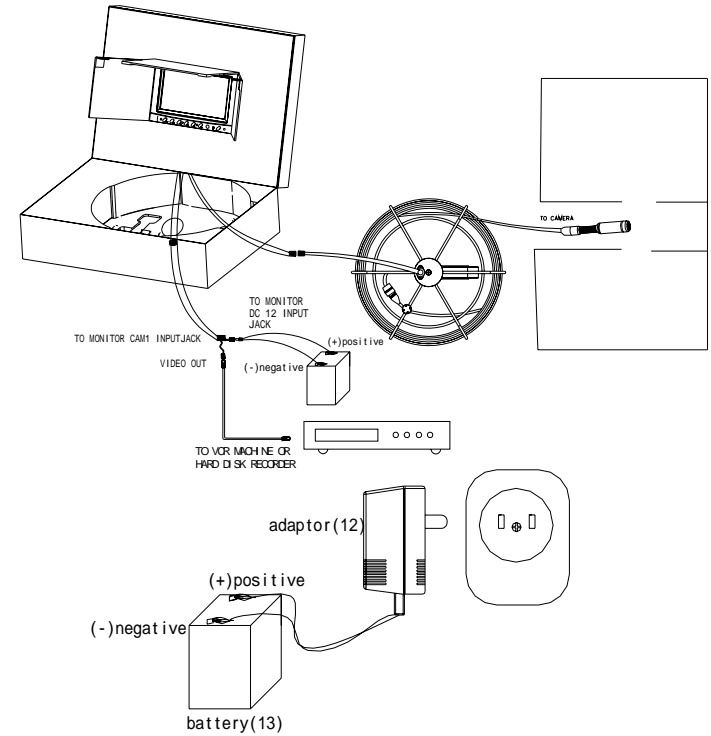


APPLICATION:

WITH MINI-CAMERA FOR PIPE DIAMTER FROM 25MM TO 120MM ID

- 1.WATER SUPPLY ,
- 2.WASTE WATER ,
- 3.ELECTRICAL AIRCONDITIONAL
- 4.CABLE DUCTING
- 5.DUCTED VACCUM SYSTEMS
- 6.PLUMBIN
- 7.IN BUILDING

Connection



Never reverse the polarity when connecting the Battery (13) for charging it or running

The system. The Red (+) terminal must be attached to the Red (+) clip on the Battery Cord , and the Black (-) terminal must be attached to the Black (-)clip.

Battery Charging

Connect the two clips of the Charger (12) to the corresponding positive and negative terminals

On the Battery (13). Plug the Charger (12) plug into the power outlet.

The indicator on the

Charger (12) will stay red until the charger is complete. Once the charge is complete, the

Indicator will turn green. **Promptly** unplug the unit from the power

outlet and remove the clips from the terminals. **Do not overcharge the battery; overcharging can result in damage to or acid leaking from the battery.**