

Model K9-12 FlexShaft™ Drain Cleaning Machine



RIDGID.com/qr/k9-12

- Français – 19
- Castellano – pág. 41

Table of Contents

Safety Symbols	2
General Safety Rules	
Work Area Safety.....	2
Electrical Safety.....	2
Personal Safety.....	2
Tool Use and Care.....	3
Service.....	3
Specific Safety Information	3
FlexShaft Drain Cleaning Machine Safety	3
RIDGID Contact Information	4
Description	4
Specifications	5
Specifications - Acceptable Battery Powered Drills.....	5
Standard Equipment.....	5
Pre-Operation Inspection	5
Machine and Work Area Set-up	6
Battery Powered Drill Set-up and Operation	8
Drill Switch	8
Drill Speed	8
Drill Adjustable Clutch Setting.....	8
Installing/Adjusting Chain Knocker	9
Installing Brushes	12
Installing Penetrating Head.....	13
Operating Instructions	13
Using Machine With Brushes.....	16
Draining the Drum	17
Transportation and Storage	17
Maintenance Instructions	17
Cleaning	17
Lubrication	17
Cable Assembly Replacement.....	17
Troubleshooting	18
Service And Repair.....	18
Optional Equipment	18
Disposal	18
EC Declaration of Conformity	Inside Back Cover
Lifetime Warranty	Back Cover

*Original Instructions - English

Drain Cleaning Machine

Model K9-12 FlexShaft™ Drain Cleaning Machine



⚠ WARNING!

Read this Operator's Manual carefully before using this tool. Failure to understand and follow the contents of this manual may result in electrical shock, fire and/or serious personal injury.

RIDGID[®]

Safety Symbols

In this operator's manual and on the product, safety symbols and signal words are used to communicate important safety information. This section is provided to improve understanding of these signal words and symbols.



This is the safety alert symbol. It is used to alert you to potential personal injury hazards. Obey all safety messages that follow this symbol to avoid possible injury or death.

⚠ DANGER

DANGER indicates a hazardous situation which, if not avoided, will result in death or serious injury.

⚠ WARNING

WARNING indicates a hazardous situation which, if not avoided, could result in death or serious injury.

⚠ CAUTION

CAUTION indicates a hazardous situation which, if not avoided, could result in minor or moderate injury.

NOTICE

NOTICE indicates information that relates to the protection of property.



This symbol means read the operator's manual carefully before using the equipment. The operator's manual contains important information on the safe and proper operation of the equipment.



This symbol means always wear safety glasses with side shields or goggles while using this equipment to reduce the risk of eye injury.



This symbol indicates the risk of hands, fingers or other body parts being caught, wrapped or crushed in the drain cleaning FlexShaft.



This symbol indicates the risk of the electrical shock.



This symbol indicates the risk of fingers or other body parts being caught, wrapped, crushed or struck by the chain knocker. Do not operate tool with the cable end outside of the drain.



This symbol means always wear gloves when handling or using this equipment to reduce the risk of infections, burns or other serious personal injury from the drain contents.

General Safety Rules

⚠ WARNING

Read and understand all warnings and instructions. Failure to follow all warnings and instructions may result in electric shock, fire, and/or serious injury.

SAVE THESE INSTRUCTIONS!

Work Area Safety

- **Keep work area clean and well lit.** Cluttered or dark areas invite accidents.
- **Do not operate tools in explosive atmospheres, such as in the presence of flammable liquids, gases, or dust.** Tools create sparks which may ignite the dust or fumes.
- **Keep children and by-standers away while operating tools.** Distractions can cause you to lose control.
- **Keep floors dry and free of slippery materials such as oil.** Slippery floors invite accidents.

Electrical Safety

- **Avoid body contact with earthed or grounded surfaces such as pipes, radiators, ranges and refrigerators.** There is an increased risk of electrical shock if your body is earthed or grounded.
- **Do not expose power tools to rain or wet conditions.** Water entering a power tool will increase the risk of electrical shock.
- **If operating a power tool in a damp location is unavoidable, use a ground fault circuit interrupter (GFCI) protected supply.** Use of a GFCI reduces the risk of electric shock.

Personal Safety

- **Stay alert, watch what you are doing and use common sense when operating tools. Do not use tools while you are tired or under the influence of drugs, alcohol, or medication.** A moment of inattention while operating tools may result in serious personal injury.

- **Use personal protective equipment. Always wear eye protection.** Protective equipment such as dust mask, non-skid safety shoes, hard hat, or hearing protection used for appropriate conditions will reduce personal injuries.
- **Do not overreach. Keep proper footing and balance at all times.** Proper footing and balance enables better control of the tool in unexpected situations.

Tool Use and Care

- **Do not force tool. Use the correct tool for your application.** The correct tool will do the job better and safer at the rate for which it is designed.
- **Store idle tools out of the reach of children and do not allow persons unfamiliar with the tool or these instructions to operate the tool.** Tools can be dangerous in the hands of untrained users.
- **Maintain tools. Check for misalignment or binding of moving parts, breakage of parts and any other condition that may affect the tool's operation. If damaged, have the tool repaired before use.** Many accidents are caused by poorly maintained tools.
- **Keep handles dry, clean and free from oil and grease.** Allows for better control of the tool.

Service

- **Have your tool serviced by a qualified repair person using only identical replacement parts.** This will ensure that the safety of the tool is maintained.

Specific Safety Information

⚠ WARNING

This section contains important safety information that is specific to this tool.

Read these precautions carefully before using the FlexShaft™ Drain Cleaning Machine to reduce the risk of electrical shock or other serious injury.

SAVE ALL WARNINGS AND INSTRUCTIONS FOR FUTURE REFERENCE!

Keep this manual with machine for use by the operator.

FlexShaft Drain Cleaning Machine Safety

- **Always use safety glasses and gloves in good condition while handling or using.** Use latex or rubber gloves, face shields, protective clothing, respirators or other appropriate protective equipment when chemicals, bacteria or other toxic or infectious substances are suspected to be present to reduce the risk of infections, burns or other serious personal injury.
- **Do not use with a corded drill.** Operating with a corded drill increases the risk of electrical shock and other injuries.
- **Do not allow the chain knocker/end of cable to stop turning while drill switch is depressed.** This can over-stress the cable and may cause twisting, kinking or breaking of the cable assembly and may result in serious personal injury.
- **Practice good hygiene. Do not eat or smoke while handling or operating the tool. After handling or operating drain cleaning equipment, use hot, soapy water to wash hands and other body parts exposed to drain contents.** This will help reduce the risk of health hazards due to exposure to toxic or infectious material.
- **Only use the FlexShaft Drain Cleaning Machine for the recommended drain sizes.** Using the wrong size drain cleaner can lead to twisting, kinking or breaking of the cable and may result in personal injury.
- **Keep hand on the cable assembly whenever the FlexShaft Machine is running.** This provides better control of the cable and helps prevent twisting, kinking and breaking of the cable and reduces the risk of injury.
- **Position machine cable outlet within 3' (1 m) of the drain inlet or properly support exposed cable assembly when the distance exceeds 3' (1 m).** Greater distances can cause control problems leading to twisting, kinking or breaking of the cable. Twisting, kinking or breaking cable may cause striking or crushing injuries.
- **One person must control both the cable assembly and cordless drill.** Do not lock drill switch in the ON position during operation. If the cable stops rotating, the operator must be able to release the drill switch to prevent twisting, kinking

and breaking of the cable and reduce the risk of injury.

- **Do not wear loose clothing or jewelry. Keep your hair and clothing away from moving parts.** Loose clothing, jewelry or hair can be caught in moving parts.
- **Do not operate this machine if operator or machine is standing in water.** Operating machine while in water increases the risk of electrical shock.
- **Do not use if there is the risk of contact with other utilities (such as natural gas or electric) during operation.** Visual inspection of the drain with a camera is a good practice. Crossbores, improperly placed utilities and damaged drains could allow the cutter to contact and damage the utility. This could cause electrical shock, gas leaks, fire, explosion or other serious damage or injury.
- **Read and understand these instructions, the battery drill instructions and the instructions for any other equipment used with this tool before operating.** Failure to follow all instructions may result in property damage and/or serious injury.

blockage and clean the walls of the pipe. The K9-12 Drain Cleaning Machine contains an integral clutch that serves as a cable protection system. This system reduces the likelihood of cable damage if the chain knockers become locked or lodged in a blockage.

FlexShaft Drain Cleaner is well suited to use with inspection cameras during the drain cleaning process. The FlexShaft Machine is lightweight and compact for ease of transport.

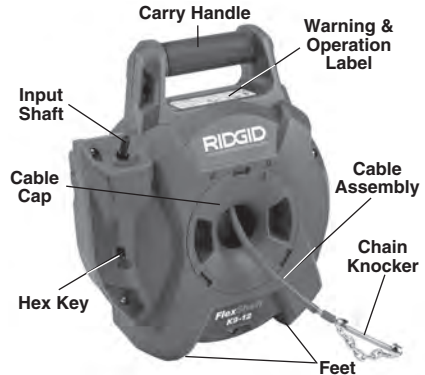


Figure 1A – RIDGID® K9-12 FlexShaft Drain Cleaning Machine

RIDGID Contact Information

If you have any question concerning this RIDGID® product:

- Contact your local RIDGID distributor.
- Visit RIDGID.com to find your local RIDGID contact point.
- Contact Ridge Tool Technical Service Department at ProToolsTechService@Emerson.com, or in the U.S. and Canada call 844-789-8665.

Description

The RIDGID® Model K9-12 FlexShaft™ Drain Cleaning Machine, with proper attachments, is designed to clean and descale 1 1/4" to 2" pipes and drain lines for kitchen and bath sinks, tub/shower drains, laundry and HVAC lines.

A user supplied battery powered drill is used to drive the FlexShaft Drain Cleaning Machine. The K9-12 FlexShaft Drain Cleaning Machine cable assembly is manually fed in and out of the drain. A chain knocker that expands to the pipe inside diameter is used to break up the

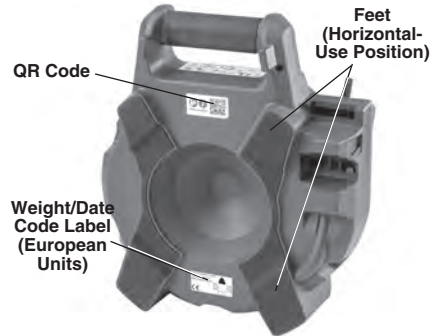


Figure 1B – RIDGID® K9-12 FlexShaft Drain Cleaning Machine

Specifications

Drain Capacity (Nominal).....	1-1/4" to 2" (32 – 50 mm)
Cable Diameter (without Sheath).....	1/4" (6 mm)
Cable Assembly Diameter (with Sheath)	3/8" (9.5 mm)
Cable Assembly Length.....	30' (9 m)
Rotational Speed	Maximum 2500 RPM
Drill Attachment	5/16" Hex (8 mm)
Integral Clutch	Non-Adjustable
Weight (without drill or knocker).....	8.4 lbs. (3.8 kg)
Dimensions (without drill)	4.8" x 12.9" x 15.1" (122 mm x 328 mm x 384 mm)
Operating Temperature	20°F to 140°F (-6°C to 60°C)

It is not recommended to clean glass, ceramic, porcelain or similar pipe or fixtures with the FlexShaft Drain Cleaners as it may damage the pipe or fixture.

Specifications - Acceptable Battery Powered Drills

Rotational Speed	1800 to 2500 RPM
Chuck Size	3/8" (10 mm) or greater
Drill Clutch	Adjustable
Switch Type.....	Momentary Contact
Switch Lock	Not equipped
Drill must carry appropriate certification mark for the market (CE mark, c)us mark, etc.)	

Do not use corded drills, hammer drills or impact drivers. Use of an inappropriate drill increases the risk of equipment damage and personal injury. See *Battery Powered Drill Set-up and Operation section*.

Standard Equipment

Refer to the RIDGID catalog for details on equipment supplied with specific drain cleaning machine catalog numbers.

NOTICE This machine is made to clean drains. If properly used, it will not damage a drain that is in good condition and properly designed, constructed and maintained. If the drain is in poor condition, or has not been properly designed, constructed and maintained, the drain cleaning process may not be effective or could cause damage to the drain. The best way to determine the condition of a drain before cleaning is through visual inspection with a camera. Improper use of this drain cleaning machine can damage the drain cleaning machine and the drain. This machine may not clear all blockages.

Pre-Operation Inspection

⚠ WARNING



Before each use, inspect your Drain Cleaning Machine and correct any problems to reduce the risk of serious injury from electric shock, twisted or broken cables, chemical burns, infections and other causes and prevent Drain Cleaning Machine damage.

Always wear safety glasses, and other appropriate protective equipment when inspecting your Drain Cleaning Machine.

- Clean the machine, including handles and controls. This aids inspection and helps prevent the machine or control from slipping from your grip. Clean and maintain the machine per the maintenance instructions.
- Inspect the machine for:
 - Proper assembly and completeness.
 - Any broken, worn, missing, misaligned or binding parts.
 - Presence and readability of the warning label (see *Figure 2*).
 - Smooth and free movement of the cable assembly in and out of the machine.
 - Any condition which may prevent safe and normal operation.

If any problems are found, do not use the drain cleaning machine until the problems have been repaired.



Figure 2 – Warning Label

3. Clean any debris from the cable assembly and chain knockers. Inspect sheath for wear and damage. There should not be any cuts, kinks, breaks or excessive wear. Inspect the cable near the chain knocker. Cable assemblies should not be bent or deformed. Cable strands should be tight to one another without separation. Inspect chain knocker for damage and wear of the chain itself. If chain links are worn more than 1/4 through or damaged, replace the chain knocker. Replace worn and damaged equipment before using drain cleaning machine.

Confirm that the chain knocker is properly set up and is secure on the cable.

4. Inspect the battery powered drill per its instructions. Make sure that the drill is in good operating condition and the switch controls the drill operation. Confirm that the drill meets the requirements in the *Specifications section* and is properly set for use with the machine.
5. Inspect and maintain any other equipment being used per its instructions to make sure it is functioning properly.

Machine and Work Area Set-up

⚠ WARNING



Set up the Drain Cleaning Machine and work area according to these procedures to reduce the risk of injury from electric shock, fire, machine tipping, twisted or broken cables, chemical burns, infections and other causes, and prevent machine damage.

Always wear safety glasses and other appropriate protective equipment when setting up your Drain Cleaning Machine.

1. Check for an appropriate work area. Operate in a clear level, stable, dry lo-

cation. Do not use the Drain Cleaning Machine while standing in water.

2. Inspect the drain to be cleaned. If possible, determine the access point(s) to the drain, the size(s), length(s), and material(s) of the drain, distance to mainlines, the nature of the blockage, presence of drain cleaning chemicals or other chemicals, etc.

If chemicals are present in the drain, it is important to understand the specific safety measures required to work around those chemicals. Contact the chemical manufacturer for required information. Confirm no other utilities are present in the drain or area to reduce the risk of damage. Visual inspection of the drain with a camera is a good practice.

If needed, remove fixture (water closet, etc.) to allow access to drain. Do not run the chain knocker in a fixture. This could damage the FlexShaft Machine or the fixture.

Best drain cleaning results will occur if water is flowing during the drain cleaning process to wash away debris. For 1 1/4" and 1 1/2" sink drains, cut away wall pipes are available to allow this. See Figure 3 for installation. Place a container to catch any drain contents that may spill.

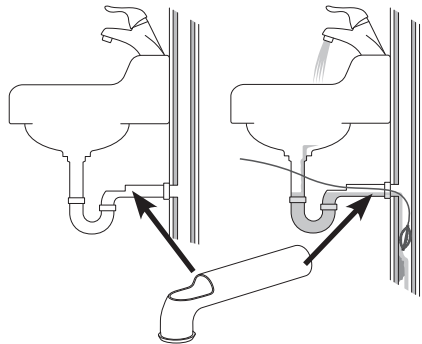


Figure 3 – Wall Pipe Installation (Available accessory)

3. Determine the correct equipment for the application. See *Specifications*. Drain Cleaning Machines for other applications can be found by consulting the Ridge Tool Catalog, online at RIDGID.com.
4. Make sure all equipment has been properly inspected.
5. If needed, place protective covers in the

work area. The drain cleaning process can be messy.

- Place the Drain Cleaning Machine on the ground in the horizontal use position, see *Figure 4*. Machine should sit squarely and firmly on the ground. Do not operate with the machine in the vertical position. This will reduce the risk of tipping.
- Remove the battery from the drill. Properly set-up the drill. (See *Battery Powered Drill Set-up and Operation* section.) Securely attach the drill chuck to the hex of the input shaft (*Figure 4*).

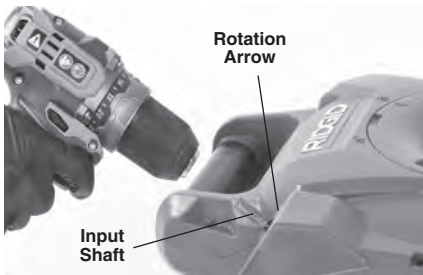


Figure 4 – Attaching Drill To Input Shaft



Figure 5 – Example of Extending Drain Access to within 3' of Machine Cable Outlet

- Position the Drain Cleaning Machine so that the cable outlet is within 3' (1 m) of the drain access. Greater distances from the drain access increases the risk of the cable assembly twisting or kinking. If the FlexShaft Machine cannot be placed with the cable outlet within 3' (1 m) of the drain access, extend the drain access with similar sized pipe and fittings (see *Figure 5*). Improper cable assembly support can allow the cable to kink and twist and can

damage the cable or injure the operator. Extending the drain back to the Drain Cleaning Machine also makes it easier to feed cable assembly into drain.

- Rotate the cable cap to move the arrow to unlock position and remove the cap (*Figure 6*). Retrieve chain knocker and cable assembly from the drum. Feed the chain knocker through the cable cap hole and lock the cable cap in original position. (*Figure 7*).



Figure 6 – Unlock the Cap



Figure 7A – Remove Cap



Figure 7B – Retrieve Chain Knocker/Cable



Figure 7C – Feed Cable Through Cap Hole
Figure 7 – Retrieving Chain Knocker From Drum

10. Pull approximately 4' (1.2 m) of cable assembly out of the machine.
11. Mark the sheath to indicate when the chain knocker is approaching the drain opening when withdrawn. This can be done with tape. This reduces the risk of the chain knockers coming out of the drain and whipping around. The distance depends on the configuration of the drain, but should be at least 4' (1.2 m) from the chain knocker.
12. Ensure chain knocker is properly installed (see *Installing/Adjusting Chain Knocker*).
13. Insert chain knocker end at least 1' (0.3 m) into drain.
14. Evaluate the work area and determine if any barriers are needed to keep bystanders away from the drain cleaning machine and work area. The drain cleaning process can be messy, and bystanders can distract the operator.
15. Position the machine for easy accessibility. You must be able to hold and control the cable assembly and the drill switch.
16. With dry hands, insert the battery into the drill.

Battery Powered Drill Set-Up and Operation

See the *Specifications* section along with this section for information on acceptable battery powered drills for use with the FlexShaft Drain Cleaning Machines. There are many types of battery powered drills available, and not all are appropriate for use with the FlexShaft Drain Cleaning Machines. If there is any question about appropriateness of a drill for this application, do not use it. Remove the battery from

the drill before making any adjustments or attaching to/removing from the drain cleaning machine.

Drill Switch

The drill must be equipped with a momentary contact switch without a switch lock. This means that the drill will only turn when the operator is depressing the drill switch. If the drill switch is released, the drill will turn OFF. Set drill rotation to match the arrow on the machine (see *Figure 4*).

Drill Speed

When using your FlexShaft Drain Cleaning Machine, the required rotational speed range is 1800 – 2500 rpm. Cleaning will be optimized by rotating the chain knockers closer to the 2500 rpm maximum. To do this, know your battery powered drill specifications and settings to optimize operation. Many battery powered drills have multiple speed settings, and typically the highest speed is in the range for operation of the FlexShaft equipment. Do not operate the FlexShaft drain cleaning machine at over 2500 rpm.

Drill Speed Settings **Torque Adjustment Collar**

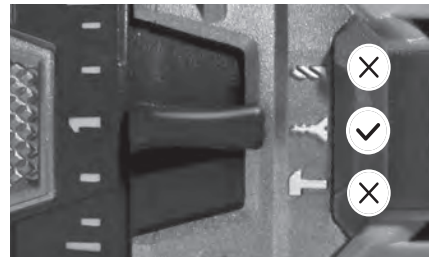
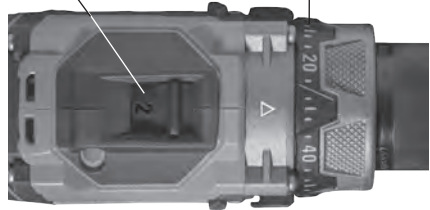


Figure 8 – Example Drill Settings

Drill Adjustable Clutch Setting

Always use a battery powered drill equipped with a properly set adjustable clutch. The drill should be used only in the “screw driving mode” (←) for the drill adjustable clutch to work. When the drill adjustable clutch releases, the motor continues to turn but the drill chuck

does not. Many times this is accompanied by vibration/noise from the drill. When using the K9-12 FlexShaft Drain Cleaning Machine, always start with the drill adjustable clutch set to approximately 25% of the total clutch adjustment range (example – if the torque adjustment collar on the drill is marked from 1 to 20, the initial setting should be 5).

Battery powered drills are often also equipped with “Drill” (◀) and “Hammer” (▶) modes of operation (Figure 8). **In these modes, the adjustable clutch does not work, and these modes should never be used for FlexShaft Drain Cleaning Machine operation.**

Operate the drain cleaner per these instructions with the chain knocker in a drain. The K9-12 FlexShaft machine integral clutch should release first before the drill clutch releases. If during operation the drill clutch continuously releases (“clutches out”), before the integral K9-12 FlexShaft Drain Cleaning Machine clutch, then the drill clutch must be adjusted. Release the drill switch and remove the drill from machine. The drill adjustable clutch setting should be increased. The drill clutch can be increased in steps until the drill runs smoothly and no longer releases before the K9-12 FlexShaft machine integral clutch.

If the integral FlexShaft machine clutch continuously releases, withdraw the cable from the drain. Review the drain cleaner set up and operation and confirm everything is correct – an important part of the set up for proper operation is chain knocker selection and adjustment (See Figures 10 & 11). Make any needed changes and continue cleaning drain. If the integral K9-12 Machine Clutch continues to disengage during use, consider using another RIDGID drain cleaning machine.

Installing/Adjusting Chain Knocker

1. Select proper chain knocker for the conditions.

Chain knockers are sized based on collar inside diameter and are designed for specific cable sizes. ¼" chain knockers are used on ¼" cable, etc. Do not use a larger size chain knocker on a smaller cable (for instance 5/16" on ¼"). See Figure 9 and Collar Distance Chart.

Chain knockers without carbide cutting tips can be used in common pipe types. **These chain knockers work well in grease and similar blockages.**

Chain knockers with carbide cutting tips are used for removing scale from the inside of the pipe and can be used for scale and roots. Carbide cutting tips are used for aggressive cleaning and could damage pipe, especially softer materials (such as plastics and Orangeburg), thin walled pipe, or if the chain knocker is kept in one position for an extended time. See Figure 10, Attachment Selection Charts.



Figure 9 – Chain Knockers

		 Chain Knockers		 Carbide Tipped Chain Knockers		 Penetrating Head Chain Knockers	
DESCRIPTION		K9-102 1.5'	K9-102 2'	K9-102 1.5' CARBIDE	K9-102 2' CARBIDE	K9-102 1.5' PENETRATING HEAD	K9-102 2' PENETRATING HEAD
CATALOG NO.		64293	64298	64283	64288	66568	66573
PIPE SIZE		1.25'-1.5' (32 - 40 mm)	2' (50 mm)	1.25'-1.5' (32 - 40 mm)	2' (50 mm)	1.25'-1.5' (32 - 40 mm)	2' (50 mm)
PIPE TYPE	COPPER	☑	☑	☑	☑	☑	☑
	GALVANIZED	☑	☑	☑	☑	☑	☑
	CAST IRON	☑	☑	☑	☑	☑	☑
	PVC	☑	☑				
	ABS	☑	☑				
	ORANGEBURG	☑	☑				
	CORRUGATED	☑	☑				
	CLAY	☑	☑				
BLOCKAGE	GREASE	☑	☑	☑	☑	☑	☑
	SOFT BLOCKAGE	☑	☑	☑	☑	☑	☑
	SCALING			☑	☑	☑	☑
	LIGHT ROOTS			☑	☑	☑	☑
	WIPES					☑	☑
	INCLUDED WITH KIT	☑	☑				

All ¼" cable FlexShaft accessories (K9-102) are compatible with the K9-12 FlexShaft Drain Cleaning Machine

Figure 10A – Attachment Selection Charts



	Nylon Brush		Ball/Drop Head	
DESCRIPTION	K9-102 NYLON 1.5"	K9-102 NYLON 2"	K9-102 BALL HEAD	K9-102 DROP HEAD
CATALOG NO.	68933	68938	71838	71843
PIPE SIZE	1.5" (40 mm)	2" (50 mm)	1.5" (40 mm)	2" (50 mm)
PIPE TYPE	COPPER	✓	✓	✓
	GALVANIZED	✓	✓	✓
	CAST IRON	✓	✓	✓
	PVC	✓	✓	✓
	ABS	✓	✓	✓
	ORANGEBURG	✓	✓	✓
	CORRUGATED	✓	✓	✓
	CLAY	✓	✓	✓
	CLAY	✓	✓	✓
APPLICATIONS	SPRAY RELINING	✓	✓	
	FRAGILE PIPES/GENTLE CLEANING	✓	✓	
	FINAL CLEANUP	✓	✓	
	PENETRATES BLOCKAGES			✓
	SMALL LINE NAVIGATION			✓
	DOWN STACK NAVIGATION			✓
SECURING RING	68923	68923		

All 1/4" cable FlexShaft accessories (K9-102) are compatible with the K9-12 FlexShaft Drain Cleaning Machine

Figure 10B – Attachment Selection Charts

- Figure 11 shows a schematic of proper chain knocker installation and adjustment. There are two key points when installing/adjusting chain knockers.

Collar Distance: Set the chain knocker collars the correct distance apart ("Collar Distance") to allow the chains to spread an appropriate amount when rotated to clean the pipe walls. Collar Distance varies based on cable size and pipe diameter, and is generally set using a spacer made from sheath ("Collar Spacer"). If additional flexibility is required to navigate a bend, the collar spacer can be removed and the collar distance can be set with a tape measure. Operating without a collar spacer makes it more likely for the cable to flip over in use and be damaged. **Do not operate carbide cutters without a collar spacer to reduce risk of cable damage.**

Exposed Cable: Minimize the amount of exposed cable (cable not covered by sheath). The more exposed cable there is, the more likely the cable will flip over in use and be damaged. Exposed cable should be limited to no more than 1/4" (6 mm), and is set with a bushing made from sheath ("Knocker Bushing"). Exposed cable varies with the amount of cable out of the drum. The more cable out of the drum, the smaller the exposed cable. Exposed cable may need to be set with cable out of the drum for best results,

Sheath is supplied with the drain cleaner and is available as a service part to allow configuration as needed for your specific application. Only use RIDGID FlexShaft Drain Cleaner sheath of the correct size for the cable. Any time sheath is cut, it should be cut cleanly and squarely. Do not damage the cable when cutting the sheath.

- Chain knockers are retained to the cable with set screws that use a supplied 3 mm hex key. Loosen set screws and remove chain knocker, spacer and bushing from cable.
- Inspect the sheath end for damage or wear. The sheath end should be square and clean. If needed, the sheath end can be trimmed slightly.
- If needed, cut a section of sheath to use as the collar spacer to the appropriate size (See Collar Distance Chart).

Cable Size	Number of Chains	Knocker		Recommended Collar Distance
		Number of Links/Chain	Nominal Pipe Size	
1/4"	1	7	1 1/4" to 1 1/2" (32 mm to 40 mm)	1 3/4" (44.5 mm)
	2	7	1 1/2" to 2" (40 mm to 50 mm)	1 3/4" (44.5 mm)

Collar Distance Chart

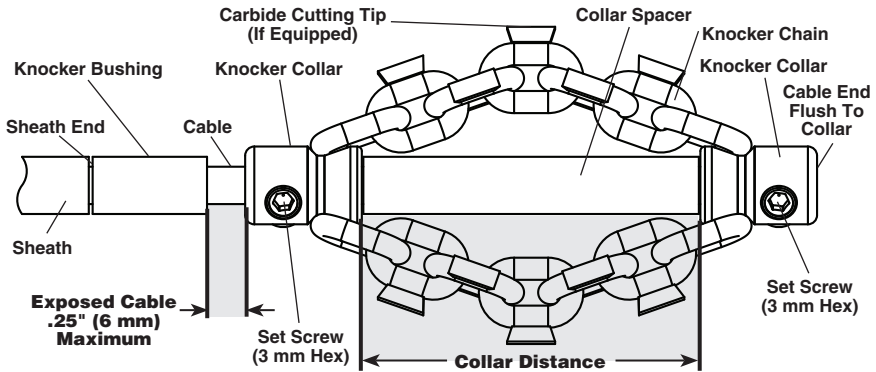


Figure 11 – Chain Knocker Installation/Adjustment

Collar distance can be modified to your preference for the specific pipe/application. As collar distance increases, the diameter of the chains decreases, and vice versa. Improperly set collar distance can reduce the efficiency of pipe cleaning.

- Test fit the chain knocker, knocker bushing and collar spacer on the cable as shown in Figure 11. Chains should be straight – do not assemble with chains twisted. To prevent excessive cable end wear, cable end should be flush with the end of the collar.

Check length of exposed cable. To reduce the risk of cable flip over and damage, exposed cable cannot exceed 1/4" (6 mm). If needed, cut a knocker bushing from sheath to limit exposed cable. **Always use a knocker bushing to reduce wear on the sheath end.**

- With the chain knocker correctly installed on the cable as shown in Figure 11, use the supplied hex wrench to securely tighten the collar set screws. Place set screw tip against cable, then tighten an additional 1/8 to 1/4 turn (45° to 90° degrees). If the set screws are not secure, the chain knocker could slip and damage the cable or be lost down the drain.

Installing Brushes

Brushes are available for various uses, such as cleaning the inside of the pipe, centering the chain knocker in the pipe and spreading lining compound. See the specific brush information for the types of uses it is appropriate (See Figure 10B).

Brushes can be assembled in a variety of configurations, with some options shown in Figure 12.



Figure 12A – Two Spaced Brushes With A Chain Knocker In Between

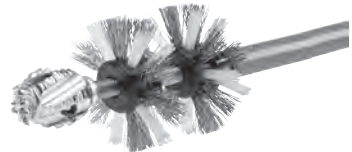


Figure 12B – Two Spaced Brushes

Installation of brushes is similar to the installation of chain knockers. The collar of the brush is placed over the cable and retained by securely tightening the set screws. When

at the end of the cable, the cable end is flush with the brush collar. Brush securing rings are available to improve brush retention if set screws loosen in use.

As with chain knockers, minimize the amount of exposed cable (cable not covered by sheath). The more exposed cable there is, the more likely the cable will flip over in use and be damaged. Limit exposed cable to no more than ¼" (6 mm), set with a bushing made from sheath ("Knocker Bushing").

Installing Penetrating Head

Penetrating heads are available to help create a hole in a blockage to get the drain flowing and allow the chain knocker into an area. See Figure 13 for installation information.

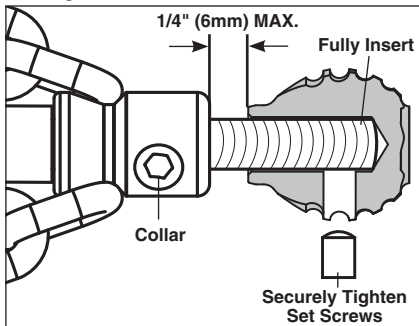


Figure 13 – Penetrating Head Installation

Operating Instructions

⚠ WARNING



Always use safety glasses and gloves in good condition while handling or using. Use latex or rubber gloves, face shields, protective clothing, respirators or other appropriate protective equipment when chemicals, bacteria or other toxic or infectious substances are suspected to be present to reduce the risk of infections, burns or other serious personal injury.

Do not use with a corded drill. Operating with a corded drill increases the risk of electrical shock.

Do not allow the chain knocker/end of cable to stop turning while drill switch is depressed. This can overstress the cable and may cause twisting, kinking or breaking of the cable assembly and may result in serious personal injury.

Practice good hygiene. Do not eat or smoke while handling or operating the tool. After han-

dling or operating drain cleaning equipment, use hot, soapy water to wash hands and other body parts exposed to drain contents. This will help reduce the risk of health hazards due to exposure to toxic or infectious material.

Keep hand on the cable assembly whenever the FlexShaft Machine is running. This provides better control of the cable and helps prevent twisting, kinking and breaking of the cable and reduces the risk of injury.

Position the FlexShaft Machine cable outlet within 3' (1 m) of the drain inlet or properly support exposed cable assembly when the distance exceeds 3' (1 m). Greater distances can cause control problems leading to twisting, kinking or breaking of the cable. Twisting, kinking or breaking cable may cause striking or crushing injuries.

One person must control both the cable assembly and cordless drill. Do not lock drill switch in the ON position during operation. If the cable stops rotating, the operator must be able to release the drill switch to prevent twisting, kinking and breaking of the cable and reduce the risk of injury.

Follow operating instructions to reduce the risk of injury from twisted or broken cable, cable ends whipping around, machine tipping, chemical burns, infections and other causes.

1. Make sure that machine and work area is properly set-up and that the work area is free of bystanders and other distractions.
2. Feed cable assembly from the machine and pull into drain. At least 1' (0.3 m) of cable must be in drain so that the chain knocker will not come out of the drain and whip around when the machine is started.

Directly route the cable assembly from the machine cable outlet to the drain opening, minimizing exposed cable and changes in direction. Do not tightly bend the cable assembly – this can increase the risk of twisting or breaking.

If using a camera to view the drain cleaning process, the camera can be fed in at the same time. Typically the cable assembly and the camera push rod can be gripped and advanced/retrieved at the same time. Keep the camera at least 1.5' (0.5 m) behind the chain knocker.

NOTICE Do not allow the spinning chain knocker to hit the camera head/push rod. It can damage it.

3. Assume a proper operating position to help maintain control of the cable assembly and drill (see Figure 14):

- Be sure you can quickly release the drill switch.
- Your gloved hand must be on the cable assembly to control and support as the cable assembly is fed into the drain and blockage.
- Be sure that you have good balance, do not have to overreach, and cannot fall on machine, drain, etc..

This operating position will help to maintain control of the cable assembly and FlexShaft Machine.



Figure 14 – In Operating Position

4. Confirm that at least 1' (0.3 m) of cable assembly is in the drain.
5. Confirm that the drill directional switch is in the forward direction, and depress and release the drill switch, noting the direction of the drill chuck. Drill rotation should match the arrow on the drum (See Figure 4). Do not rotate the cable in reverse except as specifically described in these instructions. Running in reverse can damage the FlexShaft cable.
6. Place one hand on the cable assembly and other hand on the drill grip.
7. The FlexShaft Drain Cleaning Machine utilizes high rotational speed and low torque to clean drains. FlexShaft cable assemblies are more flexible than other types of drain cleaning cables. The FlexShaft machine is best used by applying light pressure and slowly working the chain

knocker into the blockage when withdrawing the cable. **It's important to let the speed of the chain knocker clean the drain – do not force chain knockers into blockages.**

8. Advancing/Retrieving the Cable Assembly – FlexShaft Lubricant

In some cases it may be beneficial to apply RIDGID FlexShaft lubricant to the outside of the sheath when feeding the cable down the drain. This can make it easier to advance the cable assembly and allow greater cleaning distance. If doing so, place a clean towel with lubricant on it in the palm of the gloved hand used for advancing the cable assembly, and apply lubricant as feeding the cable assembly (Figure 15). Add lubricant to the towel as needed during the process.

Only use RIDGID FlexShaft lubricant. Other lubricants may not be appropriate for use in a drain and could contaminate the water.

When retrieving the cable assembly, it is good practice to use a towel to wipe dirt and debris from the cable sheath as it is pulled from the drain and fed back into the drum.

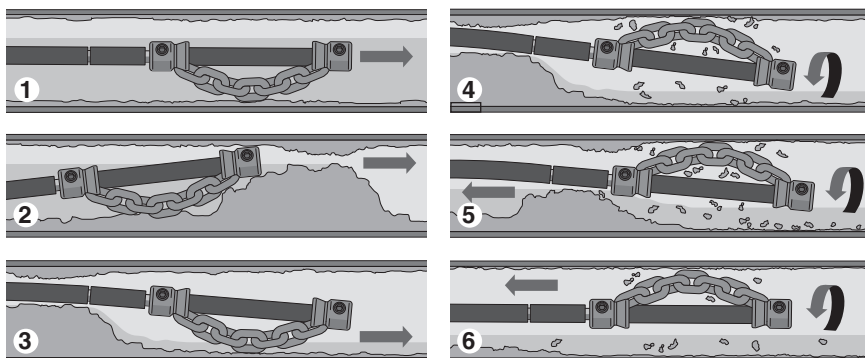


Figure 15 – Applying Lubricant to the Cable Sheath

9. Rotating the Chain Knocker

Generally the chain knocker is rotated for cleaning while withdrawing the cable.

The general operating steps for the FlexShaft Drain Cleaning Machines (see below):



1. Advance the chain knocker (generally not rotating) to the area of the drain that needs cleaned.
2. If there is a blockage, pass the chain knocker through the blockage.
3. If possible, start a flow of water through the drain to carry cuttings and debris away as the drain is cleaned.
4. Rotate the cable/chain knocker at full speed.
5. Continue to rotate knocker. Gradually withdraw the cable assembly so that the chain knocker can break up the blockage.
6. Continue to gradually withdraw the cable assembly while rotating so that the chain knocker can clean the walls of the drain.

Figure 16 – General Operating Steps with Chain Knocker

Only rotate the cable/chain knocker when the chain knocker is at least 1' in the drain. To rotate the cable, firmly grip the drill handle and depress the drill switch. The person controlling the cable assembly must also control the drill switch. Do not operate the machine with one person controlling the cable assembly and another person controlling the drill. Do not allow cable assembly to build up outside the drain, bow or curve. This can lead to twisting, kinking and breaking of the cable. At any time, release the drill trigger to stop cable rotation. When clearing blockages, operate the cable at full speed for best cleaning.

Do not force the chain knocker into blockages. In some cases, using variable speed will assist with navigating turns. Rotating the chain knocker in FORWARD or REVERSE for a short time while advancing the cable assembly can help it negotiate the drain and blockages.

10. Advance the cable assembly into the drain, generally not rotating. Grasp the sheath near where it exits the machine housing. Pull 6" to 12" (150 to 300 mm) of cable assembly out of the FlexShaft Machine so that there is a slight bow in the cable. Gloved hand must be on cable assembly

to control and support. Improper cable support can allow the cable assembly to kink or twist and can damage the cable or injure the operator. Feed the cable assembly into the drain (Figure 16, Step 1).

11. Continue to advance the cable assembly until the resistance is encountered. Carefully work the chain knocker through the blockage. **Do not force the cable assembly – if the chain knocker cannot turn, it cannot clean the drain.** Pay attention to how far the cable has gone. Do not overrun the cable into a larger drain. This can cause the cable to knot up or cause other damage (Figure 16, Step 2).
12. If possible, start a flow of water down the drain to flush the debris out of the line and help clean the cable assembly as it is retrieved. This can be done by turning on a faucet in the system or other methods. Pay attention to the water level, as the drain could plug again (Figure 16, Step 3).
13. With the chain knocker past the blockage/area to be cleaned, fully depress the drill switch to rotate the chain knocker. Slowly pull the cable assembly from the drain, allowing the rotating chain knocker to clean the drain walls and break up the blockage

(Figure 16, Steps 4 & 5). If the cable stops turning, do not continue operating the drill. This may cause the cable to twist and kink. At any time, release the drill switch to stop cable rotation.

Monitor the feedback from the feel of the cable assembly in your hand and the sound of the drill/knocker in the drain. If the integral FlexShaft machine clutch or the drill clutch disengages (indicated by noise from the integral clutch or drill and possibly some vibration of the drill), the cable has likely stopped turning. See *Drill Adjustable Clutch Setting in the Battery Powered Drill Set-up and Operation section*. When this happens, release the drill switch to stop the rotation of the drill. Once drill rotation is stopped the clutch will automatically reengage, however, if the cable end is stuck, it must be moved out of the blockage before proceeding.

It may be necessary to move the chain knocker out of the blockage to allow it to come back up to speed.

If the chain knocker becomes stuck, it may be able to be freed by running the drill in reverse for a short time. Do not run in reverse for more than a few seconds to prevent cable damage. In some cases, it may be possible to pull the cable assembly and the blockage out of the drain by hand. If this is done, be careful to not damage the cable assembly. Remove the blockage from the knocker and cable and continue cleaning the drain as detailed above.

If using with a camera, do not run the chain knocker into the camera head or push rod.

In some cases, to clean the opposite side of the pipe it may help to run the drill in REVERSE for a short time.

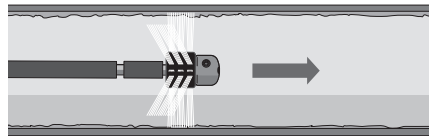
14. Continue to clean the rest of the drain while retrieving the cable. Once the drain has been cleaned, retrieve the cable and feed back onto the drain cleaning machine. Pay close attention, as the cable may lodge in a blockage while being retracted (Figure 16, Step 6).
15. Watch for your sheath marking as the cable assembly is retrieved; listen carefully to the sound of the knocker as it approaches the pipe entrance. Release the drill switch when the chain knocker nears drain opening. Do not pull the chain knocker from drain while it is rotating. The

chain knocker can whip around and can cause damage or serious injury.

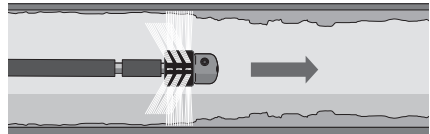
16. If needed for complete cleaning, repeat the above procedure.
17. Pull any remaining cable assembly from the line by hand and push back into the drum. Prepare the machine for transport.

Using Machine With Brushes

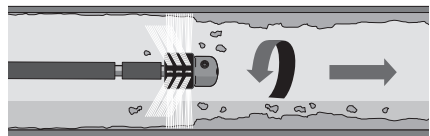
Using the machine with a brush is similar to use with a chain knocker. Brushes are used for finer cleaning of the pipe; they are not used for blockage removal. Remove blockages and heavy debris with a chain knocker or other methods first. While chain knockers are most typically rotated while withdrawing the cable from the drain, brushes are typically used while advancing the cable. This is because the brushes typically fill the drain diameter and push debris in front of them. See Figure 17 for general steps.



Step 1



Step 2



Step 3

Figure 17 – Cleaning Drain Walls With Brush

1. Advance the brush (generally not rotating) into the drain.
2. When close to the area of the drain to be cleaned, if possible, start a flow of water through the drain to carry debris away during cleaning.
3. Rotate the cable/brush at full speed and gradually advance the cable into the drain to clean the walls as desired.

Brushes can also be used in conjunction with chain knockers such as centering devices or for combined cleaning. Usage depends

on the exact circumstances and is left to the judgement of the user.

Penetrating tip heads can also be used with brushes or chain knockers for additional accessory customization.

Draining the Drum

If the cable is wiped clean as it is pulled from the drum, there should be minimal need to drain the drum. If needed, remove the cable cap and turn the machine over to drain.

Transportation and Storage

⚠ WARNING Feed all of cable assembly and chain knocker into the drum and secure the cap. Remove the drill from the input shaft. Do not leave the drill attached during transport and storage to prevent tipping and damage to the drain cleaner.

The Drain Cleaning Machine must be kept dry and indoors or well covered if kept outdoors. Store the machine in a locked area that is out of reach of children and people unfamiliar with drain cleaning machines. This machine can cause serious injury in the hands of untrained users.

Maintenance Instructions

⚠ WARNING

Drill should be removed from drain cleaner before any maintenance is performed.

Always wear safety glasses and other appropriate protective equipment when performing any maintenance.

Cleaning

It is good practice to wipe dirt and debris from the cable assembly as it is pulled from the drain to help keep the equipment clean. If needed, cable assembly can be pulled from the machine and the housing opened for flushing/cleaning.

Clean the machine as needed with hot soapy water and/or mild disinfectants. Drain the machine as needed.

Lubrication

The FlexShaft Drain Cleaning Machines are lubricated for life from the factory.

Cable Assembly Replacement

1. Place the Drain Cleaning Machine in Horizontal use position.
2. Pull entire cable assembly from housing.
3. Using a Phillips-head screwdriver, remove the fasteners holding the housing together. Remove the top housing (*Figure 18*)

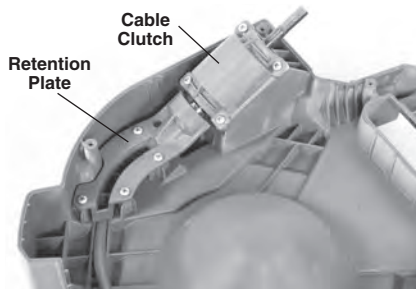


Figure 18 – Drain Cleaner Top Housing Removed

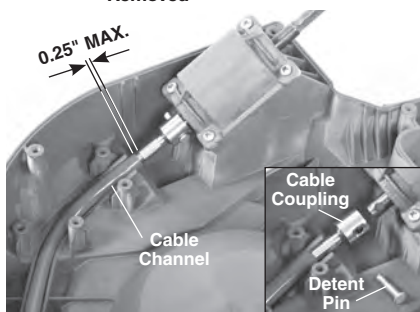


Figure 19 – Replacement Cable Installation

4. Remove retention plate fasteners and retention plate (*Figure 18*).
5. Remove the detent pin from the cable coupling.
6. Remove the cable coupling from the integral cable clutch shaft and remove the cable assembly.
7. Reverse process to assemble. Fully insert the cable into the cable channel. There should be no more than 0.25" (6 mm) between the end of the sheath and the coupler (*See Figure 19*).
8. Securely attach all fasteners. Do not over-tighten.

Troubleshooting

SYMPTOM	POSSIBLE REASON	SOLUTION
Cable kinking or breaking.	Cable assembly is being forced.	Do no force cable assembly. Follow operating instructions.
	Incorrect FlexShaft Machine or chain knocker used for pipe diameter.	Use correct FlexShaft Machine or chain knocker for pipe size.
	Drill being run in reverse.	Use reverse only if flex shaft gets caught in pipe.
	Cable assembly exposed to acid/corroded.	Clean cable assembly routinely.
	Cable/sheath worn out.	Replace worn cable assembly.
	Cable assembly not properly supported.	Support cable assembly properly, see <i>instructions</i> .
FlexShaft Machine wobbles or moves while cleaning drain.	Chain knocker not properly set up/adjusted.	Properly set up/adjust chain knocker, see <i>instructions</i> .
	Improper drill.	Choose proper drill, see <i>instructions</i> .
	Ground not level.	Place on level stable surface.

Service and Repair

⚠ WARNING

Improper service or repair can make the machine unsafe to operate.

The “Maintenance Instructions” will take care of most of the service needs of this machine. Any problems not addressed by this section should only be handled by a RIDGID Authorized Independent Service Center. Use only RIDGID service parts.

For information on your nearest RIDGID Authorized Independent Service Center or any service or repair questions see *Contact Information* section in this manual.

Optional Equipment

⚠ WARNING

To reduce the risk of serious injury, only use accessories specifically designed and recommended for use with the RIDGID K9-12 FlexShaft Drain Cleaning Machine, such as those listed.

Catalog No.	Description
64283	Knocker, 1/2" cable, 1/4"-1 1/2" pipe, single chain, carbide tip
64293	Knocker, 1/2" cable, 1 1/4"-1 1/2" pipe, single chain
64288	Knocker, 1/2" cable, 2" pipe, 2 chain, carbide tip
64298	Knocker, 1/2" cable, 2" pipe, 2 chain
64338	FlexShaft Lubricant, 8 oz, 12 per case
64363	1 1/2" RIDGID Wallpipe Accessory
64368	1 1/2" RIDGID Wallpipe Accessory
71838	Penetrating Ball Head 1 1/2"- 2"
71843	Penetrating Drop Head 1 1/2"- 2"
68933	1.5" (40mm) Nylon Brush for 1/2" (6mm) cable
68938	2" (50mm) Nylon Brush for 1/2" (6mm) cable
66568	FlexShaft Chain Knocker, 1/2" cable, 1 1/4" - 1 1/2" pipe, single chain, carbide tipped w/penetrating head
66573	FlexShaft Chain Knocker, 1/2" cable, 2" pipe, 2 chain, carbide tipped w/penetrating head
76183	FlexShaft Cable Assembly, 1/2" x 30'
64643	FlexShaft 1/2" Sheath Stock, 12"

For a complete listing of RIDGID equipment available for these tools, see *the Ridge Tool Catalog* online at RIDGID.com or see *Contact Information*.

Disposal

Parts of these tools contain valuable materials and can be recycled. There are companies that specialize in recycling that may be found locally. Dispose of the components in compliance with all applicable regulations. Contact your local waste management authority for more information.

Dégorgeoir FlexShaft™ Modèle K9-12



⚠ AVERTISSEMENT!

Lisez ce manuel dans son intégralité avant d'utiliser cet appareil. Tout manque de compréhension ou de respect des consignes ci-après augmenterait les risques de choc électrique, d'incendie et/ou de graves lésions corporelles.

RIDGID[®]

Table des matières

Symboles de sécurité	21
Consignes générales de sécurité	
Sécurité des lieux	21
Sécurité électrique.....	21
Sécurité individuelle.....	21
Utilisation et entretien des outils.....	22
Service après-vente.....	22
Consignes de sécurité spécifiques	22
Sécurité du dégorgeoir FlexShaft	22
Coordonnées RIDGID	23
Description	23
Caractéristiques techniques	24
Caractéristiques techniques - Perceuses à piles acceptables.....	24
Équipements de base.....	24
Inspection préalable	25
Préparation du dégorgeoir et du chantier	25
Préparation et utilisation de la perceuse à piles	28
Gâchette	28
Vitesse	28
Réglage de l'embrayage.....	28
Montage/réglage des chaînes de curage	29
Montage des brosses	32
Montage de la tête pénétrante.....	33
Consignes d'utilisation	33
Utilisation du dégorgeoir à brosses	37
Vidange du tambour	37
Transport et remisage	37
Consignes d'entretien	38
Nettoyage.....	38
Lubrification	38
Remplacement des câbles gainés.....	38
Dépannage	39
Entretien et réparations	39
Accessoires	39
Recyclage	40
Déclaration de conformité CE	Verso de la page de garde
Garantie à vie	Page de garde

*Texte d'origine en anglais

Symboles de sécurité

Les symboles et mots clés utilisés à la fois dans ce mode d'emploi et sur l'appareil lui-même servent à signaler d'importants risques de sécurité. Ce qui suit permettra de mieux comprendre la signification de ces mots clés et symboles.



Ce symbole sert à vous avertir de risques d'accident potentiels. Il est utilisé pour mettre l'utilisateur en garde contre les risques de blessures corporelles. Le respect des consignes qui le suivent vous permettra d'éviter les risques d'accident grave ou potentiellement mortel.

⚠ DANGER

Le terme DANGER signifie une situation dangereuse qui, faute d'être évitée, provoquerait la mort ou de graves blessures corporelles.

⚠ AVERTISSEMENT

Le terme AVERTISSEMENT signifie une situation dangereuse potentielle qui, faute d'être évitée, serait susceptible d'entraîner la mort ou de graves blessures corporelles.

⚠ ATTENTION

Le terme ATTENTION signifie une situation dangereuse potentielle qui, faute d'être évitée, serait susceptible d'entraîner des blessures corporelles légères ou modérées.

AVIS IMPORTANT

Le terme AVIS IMPORTANT indique des informations concernant la protection des biens.



Ce symbole indique la nécessité de bien se familiariser avec la notice d'emploi avant d'utiliser ce matériel. Le mode d'emploi renferme d'importantes consignes de sécurité et d'utilisation du matériel.



Ce symbole impose le port systématique de lunettes de sécurité étanches ou à oeilères lors de la manipulation ou utilisation de ce matériel afin de limiter les risques de lésion oculaire.



Ce symbole indique un risque d'entraînement, d'enchevêtrement et d'écrasement des mains, doigts ou autres membres par le dégorgeoir FlexShaft.



Ce symbole signale un risque de choc électrique.



Ce symbole signale un risque de frappe, d'enchevêtrement et d'écrasement des doigts ou autres membres par la chaîne de curage. N'utilisez pas cet appareil avec l'embout du câble à l'extérieur des conduites.



Ce symbole indique le port des gants lors de la manipulation ou de l'utilisation du matériel afin d'éviter tout risque d'infections, de brûlures ou d'autres blessures corporelles graves dues au contenu des canalisations.

Consignes générales de sécurité

⚠ AVERTISSEMENT

Lisez attentivement tous les avertissements et instructions. Le non-respect de l'ensemble des consignes suivantes augmenterait les risques de choc électrique, d'incendie et/ou de grave blessure corporelle.

CONSERVEZ CES INSTRUCTIONS!

Sécurité des lieux

- **Assurez-vous de la propreté et du bon éclairage des lieux.** Les chantiers encombrés ou mal éclairés sont une invitation aux accidents.
- **N'utilisez pas d'appareils électriques en présence de substances volatiles telles que liquides, gaz ou poussières combustibles.** Ce type de matériel risque de produire des étincelles susceptibles d'enflammer les poussières et émanations combustibles.

- **Éloignez les enfants et les curieux lors de l'utilisation des appareils électriques.** Les distractions risquent de vous faire perdre le contrôle de l'appareil.
- **Ne travaillez que sur un sol sec et dépourvu de matières grasses (huile, etc.).** Les sols glissants favorisent les accidents.

Sécurité électrique

- **Évitez tout contact avec des objets reliés à la terre tels que canalisations, radiateurs, cuisinières et réfrigérateurs.** Tout contact avec la terre augmenterait les risques de choc électrique.
- **N'exposez pas les appareils électriques à la pluie ou aux intempéries.** Toute pénétration d'eau à l'intérieur d'un appareil électrique augmenterait les risques de choc électrique.
- **Lorsque l'utilisation d'un appareil électrique dans un lieu humide est inévitable, prévoyez une alimentation équipée d'un disjoncteur différentiel**

(GFCI). L'utilisation d'un disjoncteur différentiel limite les risques de choc électrique.

Sécurité individuelle

- **Soyez attentif, restez concentré et faites preuve de bon sens lors de l'utilisation de ce type d'appareil. N'utilisez jamais d'appareil électrique lorsque vous êtes fatigué ou sous l'influence de drogues, de l'alcool ou de médicaments.** Lors de l'utilisation d'un appareil électrique, un instant d'inattention risque d'entraîner de graves lésions corporelles.
- **Prévoyez les équipements de protection individuelle appropriés. Portez systématiquement une protection oculaire.** Selon le cas, le port d'un masque à poussière, de chaussures de sécurité antidérapantes, du casque ou d'une protection auriculaire aidera à limiter les risques de lésion corporelle.
- **Ne vous mettez pas en porte-à-faux. Maintenez une bonne assiette et un bon équilibre à tout moment.** Cela assurera un meilleur contrôle de l'appareil en cas d'imprévu.

Utilisation et entretien de l'appareil

- **Ne forcez jamais le matériel. Prévoyez le matériel le mieux adapté aux travaux envisagés.** L'outil approprié produira de meilleurs résultats et un meilleur niveau de sécurité lorsqu'il fonctionne au régime prévu.
- **Rangez tout matériel non utilisé hors de la portée des enfants. Son utilisation doit être exclusivement réservé à du personnel compétent.** Ce type de matériel serait dangereux entre les mains d'un novice.
- **Entretien de l'appareil. Assurez-vous de l'absence d'éléments grippés ou endommagés, voire toute autre anomalie susceptible de nuire à son bon fonctionnement et à sa sécurité. Ne pas utiliser de matériel endommagé avant sa réparation.** De nombreux accidents sont le résultat de matériels mal entretenus.
- **Assurez la parfaite propreté de poignées et autres points de prise-en-main de l'appareil (absence d'huile et**

de graisse). Cela assurera un meilleur contrôle du matériel

Entretien après vente

- **Confiez la maintenance de tout appareil à un réparateur qualifié utilisant exclusivement des pièces de rechange identiques aux pièces d'origine.** Cela assurera la sécurité opérationnelle de l'appareil.

Consignes de sécurité spécifiques

▲ AVERTISSEMENT

La section suivante contient d'importantes consignes de sécurité visant ce type de matériel en particulier.

Afin de limiter les risques de choc électrique et autres lésions corporelles graves, familiarisez-vous avec celles-ci avant d'utiliser le dégorgeoir FlexShaft™.

CONSERVEZ CES CONSIGNES POUR FUTURE RÉFÉRENCE!

Gardez ce manuel à portée de main de tout utilisateur éventuel.

Sécurité du dégorgeoir FlexShaft

- **Portez systématiquement des lunettes de sécurité et des gants lors de la manipulation ou utilisation du dégorgeoir.** Afin de limiter les risques d'infection, brûlure ou autre graves lésions corporelles, prévoyez des gants en latex ou caoutchouc, une visière, des vêtements de protection, un respirateur ou autres équipements de protection appropriés en présence de produits chimiques, bactéries ou autres substances potentiellement toxiques ou infectieuses
- **N'utilisez jamais de perceuse électrique.** L'utilisation d'une perceuse électrique augmenterait les risques de choc électrique et autres blessures.
- **Ne laissez jamais la chaîne de curage ou l'embout du câble de s'immobiliser lorsque la gâchette de la perceuse est engagée.** Cela risque de forcer le câble au point de se vriller, se plisser ou se rompre et provoquer de graves blessures corporelles.
- **Respectez les consignes d'hygiène établies. Évitez de manger ou de**

fumer lors de la manipulation ou de l'utilisation du matériel. En fin d'opération, lavez vos mains et autres parties du corps exposées au contenu de la conduite à l'eau chaude savonneuse. Cela limitera les risques sanitaires associés à la présence de résidus toxiques ou infectieux.

- **N'utilisez le dégorgeoir FlexShaft que pour les sections de conduite pressurisées.** L'emploi d'un dégorgeoir inapproprié augmenterait les risques de vrillage, pliage ou rupture du câble et augmenterait les risques de blessure.
- **Gardez une main sur le câble à tout moment lorsque le dégorgeoir FlexShaft tourne.** Cela assurera un meilleur contrôle du câble et limitera les risques de son vrillage, pliage ou rupture, ainsi que les risques de blessure.
- **Positionnez le dégorgeoir à moins de 3 pi (1 m) de l'accès à la canalisation ou soutenez son câble de manière appropriée lorsque cette distance dépasse 3 pi (1 m).** Un écartement supérieur rendrait le câble plus difficile à contrôler et augmenterait les risques de vrillage, pliage ou rupture. Un câble vrillé, plissé ou rompu augmenterait les risques de blessure corporelle.
- **Un seul individu doit pouvoir contrôler à la fois le câble et la perceuse à piles.** Ne verrouillez pas l'interrupteur de la perceuse en position MARCHE pendant le fonctionnement. Si le câble cesse de tourner, l'utilisateur doit pouvoir lâcher la gâchette de la perceuse à tout moment afin d'éviter qu'il se vrille, se plisse ou se casse dangereusement.
- **Ne portez ni d'accessoires vestimentaires, ni de bijoux. Éloignez vos cheveux et vos vêtements du mécanisme.** Les vêtements flottants, les bijoux et les cheveux risqueraient d'être entraînés par le mécanisme.
- **Ne pas utiliser ce dégorgeoir avec les pieds (les vôtres ou les siens) dans l'eau.** Ceci augmenterait les risques de choc électrique.
- **Ne l'utilisez pas en cas de risque de contact avec d'autres services (gaz naturel, électriques, etc.) en cours d'opération.** Il est recommandé d'effectuer une inspection visuelle préalable de la conduite à l'aide d'une caméra.

D'éventuels forages transversaux, réseaux parasites ou conduites détériorées risqueraient d'être heurtés et endommagés. Cela augmenterait les risques de choc électrique, fuites de gaz, incendie, explosion ou autre dégâts et blessures graves.

- **Familiarisez-vous avec les consignes ci-présentes ainsi qu'avec celles visant la perceuse à piles et tout autre matériel utilisé avant d'utiliser cet appareil.** Le non-respect de l'ensemble de ces instructions augmenterait les risques de dégâts matériels et d'accident grave.

Coordonnées RIDGID

En cas de questions concernant ce produit RIDGID®, veuillez :

- Consulter le distributeur RIDGID le plus proche.
- Visiter le site RIDGID.com afin de localiser le représentant RIDGID le plus proche.
- Consulter les services techniques Ridge Tool par courriel à l'adresse suivante : ProToolsTechService@Emerson.com, ou en composant le 844-789-8665 (à partir des États-Unis ou du Canada exclusivement).

Description

Le dégorgeoir RIDGID FlexShaft™ modèle K9-12 RIDGID®, servent au curage et détartrage des conduites de 1/4 po à 2 po pour éviers de cuisine et de bain, conduites de baignoire/douche, cuve de lessivage et conduites CVC.

La rotation des dégorgeoirs FlexShaft est assurée par une perceuse à piles fournie par l'utilisateur. L'avancement et le retrait du câble du dégorgeoir FlexShaft K9-12 se font manuellement. Une chaîne de curage racle le tuyau pour déloger les obstacles et nettoyer ses parois. Le dégorgeoir K9-12 contient un embrayage intégré qui sert de système de protection des câbles. Ce système réduit les risques d'endommagement des câbles lorsque le dégorgeoir est verrouillé ou bloqué.

Les dégorgeoirs FlexShaft sont particulièrement bien adaptés aux curages associés aux inspections par caméra. Les dégorgeoirs FlexShaft sont à la fois légers, compacts et faciles à transporter.

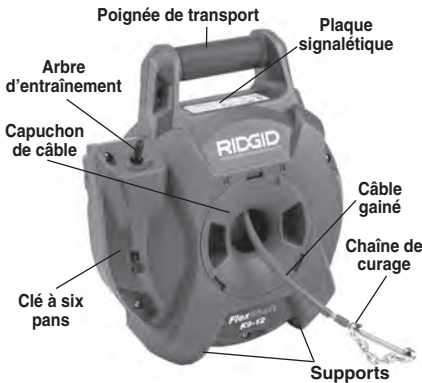


Figure 1A – Dégorgeoir RIDGID® FlexShaft K9-12

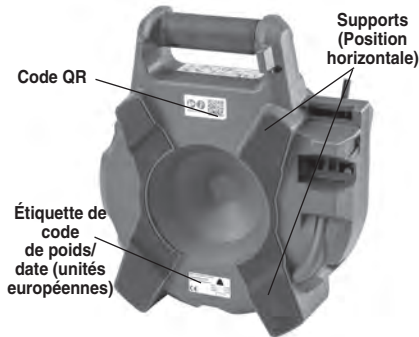


Figure 1B – Dégorgeoir RIDGID® FlexShaft K9-12

Caractéristiques techniques

Capacité de la conduite (Nominale)	1 - 1/4 po à 2 po (32 – 50 mm)
Diamètre du câble (sans gaine)	1/4 po (6 mm)
Diamètre du câble gainé (avec gaine)	3/8 po (9,5 mm)
Câble gainé	
Longueur	30 pi (9 m)
Vitesse de rotation	2 500 tr/min au maximum
Arbre d'entraînement.....	Hexagonal 5/16 po (8 mm)
Embrayage intégré.....	Non réglable

Poids (sans perceuse ou chaîne).....	8,4 lbs (3,8 kg)
Dimensions (sans perceuse).....	4,8 po × 12,9 po × 15,1 po (122 mm × 328 mm × 384 mm)

Température de fonctionnement.....	20 °F à 140 °F (-6 °C à 60 °C)
------------------------------------	--------------------------------

Il est déconseillé d'utiliser les dégorgeoirs FlexShaft pour le curage des conduites en verre, céramique, porcelaine ou similaires car cela pourrait les endommager.

Caractéristiques techniques - Perceuses à piles acceptables

Vitesse de rotation	1 800 à 2 500 tr/min
Ouverture du mandrin ...	3/8 po (10 mm) ou plus

Embrayage de perceuse.....	Réglable
Type de gâchette.....	Contact momentané
Verrou de gâchette.....	Non fourni

La perceuse doit comporter le logo d'homologation approprié correspondant au marché visé (marque CE, marque c(us), etc.)

N'utilisez jamais de perceuse électrique sur secteur, de perceuse à percussion ou de clé à chocs. L'utilisation de perceuses inappropriées augmenterait les risques d'accident et bris du matériel et de lésions corporelles. *Reportez-vous à la section Préparation et utilisation de la perceuse à piles.*

Équipement de base

Reportez-vous au catalogue RIDGID pour les équipements fournis avec chaque modèle de dégorgeoir référencé.

AVIS IMPORTANT Ce dégorgeoir est prévu pour le curage des canalisations. Correctement utilisé, il n'endommagera pas les conduites en bon état et correctement conçues, installées et entretenues. En présence de conduites mal conçues, installées ou entretenues, le processus de curage risque d'être inefficace ou même endommager le réseau. Le meilleur moyen de vérifier l'état d'une conduite avant son curage est par inspection visuelle à l'aide d'une caméra. L'utilisation inappropriée de ce dégorgeoir risque d'endommager à la fois l'appareil et la conduite. Il se peut que ce type de dégorgeoir n'arrive pas à franchir tous types de blocage.

Inspection préalable

⚠ AVERTISSEMENT



Examinez le dégorgeoir avant chaque intervention afin de rectifier toute anomalie éventuelle et limiter les risques de blessure grave tels que choc électrique, vrillage ou rupture de câble, brûlure chimique, infection, etc., et afin d'éviter d'endommager l'appareil.

Portez systématiquement une protection oculaire ainsi que les autres équipements de protection appropriés lors de l'inspection du dégorgeoir.

1. Nettoyez le dégorgeoir, notamment au niveau de ses poignées et ses commandes. Cela facilitera son inspection et limitera les risques qu'il s'échappe de vos mains. Reportez-vous aux consignes d'entretien pour le nettoyage et la maintenance du dégorgeoir.
2. Couvrez les points suivants lors de cette inspection :
 - Assemblage approprié et intégralité de l'appareil.
 - Signes d'éléments brisés, usés, manquants, désalignés ou grippés.
 - Présence et lisibilité de l'étiquette d'avertissement (voir Figure 2).
 - Le libre avancement et retrait du câble gainé à l'intérieur du dégorgeoir.
 - Toute anomalie éventuelle qui serait susceptible de nuire à la sécurité et au bon fonctionnement de l'appareil.

En cas d'anomalie, n'utilisez pas l'appareil avant sa réparation.



Figure 2 – Étiquette d'avertissement

3. Nettoyez soigneusement le câble gainé et les chaînes de curage. Examinez la gaine pour signes d'usure ou de détérioration. Celle-ci ne devrait présenter aucun signe de coupure, de pliage, de rupture ou d'usure excessive. Examinez le câble au niveau de la chaîne de cu-

rage. Les câbles gainés ne devraient pas être tordus ou malformés. Les torsions du câble doivent être serrés et ne présenter aucune séparation. Examinez la chaîne de curage pour signes de détérioration, d'usure ou, le cas échéant, de manque de dents au carbure. Une chaîne en-dommagée ou usée par plus de 25 % de l'épaisseur de ses maillons doit être remplacée. Remplacez tout élément usé ou endommagé avant d'utiliser le dégorgeoir.

Assurez-vous que la chaîne de curage est correctement installée et arrimée au câble.

4. Examinez la perceuse à piles selon les consignes la concernant. Vérifiez le bon fonctionnement de la perceuse et de ses commandes. Assurez-vous que la perceuse est conforme aux *Caractéristiques techniques* et qu'elle est correctement réglée pour fonctionner avec le dégorgeoir.
5. Examinez et maintenez tout autre matériel utilisé selon les consignes correspondantes afin de vous assurer de son bon fonctionnement.

Préparation du dégorgeoir et du chantier

⚠ AVERTISSEMENT



Préparez le dégorgeoir et le chantier selon la procédure suivante afin de limiter les risques de choc électrique, incendie, renversement du dégorgeoir, vrillage ou rupture de câble, brûlure chimique, infection, etc., et afin d'éviter d'endommager le dégorgeoir lui-même.

Lors de la préparation du dégorgeoir, portez systématiquement des lunettes de sécurité ainsi que tout autre équipement de protection approprié.

1. Trouvez un emplacement approprié. Situez le dégorgeoir dans un endroit dégagé, de niveau, stable et au sec. N'utilisez jamais le dégorgeoir lorsque vous avez les pieds dans l'eau.
2. Examinez la conduite à curer. Si possible, déterminez son ou ses points d'accès, sa ou ses section(s), sa ou ses

longueur(s), sa ou ses composition(s), la distance jusqu'à l'égoût, la nature du blocage, la présence éventuelle de produits chimiques, etc.

En présence de produits chimiques, il est impératif de connaître la nature spécifique du produit et les mesures de sécurité qu'il convient de prendre en sa présence. Consultez le fabricant du produit pour les consignes applicables. Vérifiez qu'il n'existe aucun autre réseau à l'intérieur de la conduite ou à proximité de celle-ci afin de limiter les risques de dégâts. Il est recommandé d'effectuer une inspection visuelle préalable de la conduite à l'aide d'une caméra.

Au besoin, retirez l'élément sanitaire (cuvette de W.C., etc.) pour accéder directement à la conduite d'évacuation. Ne tentez jamais de faire passer une chaîne de curage via un élément sanitaire. Cela pourrait à la fois endommager la chaîne et l'élément en question.

De meilleurs résultats seront obtenus lorsqu'un filet d'eau est maintenu dans la conduite au cours de son curage afin d'en chasser les débris. Dans le cas d'éviers ou de lavabos équipés de siphons de 1¼ po et 1½ po de diamètre, il existe des manchons découpés temporaires qui permettent à la fois d'assurer un écoulement d'eau continu et l'introduction du câble. Voir la Figure 3 pour le montage. Dans ce cas, il convient de placer un récipient sous le manchon pour récupérer les débordements éventuels.

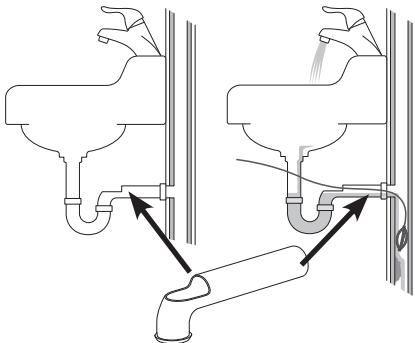


Figure 3 – Montage de tuyau à parois (accessoire disponible)

3. Prévoyez le matériel approprié en fonction de l'intervention envisagée.

Consultez la section *Caractéristiques techniques*. Des renseignements sur les dégorgeoirs prévus pour d'autres types d'applications sont disponibles à la fois dans le cata-logue Ridge Tool ou en ligne sur le site RIDGID.com.

4. Assurez-vous que l'ensemble du matériel utilisé a été correctement inspecté.
5. Au besoin, bâchez la zone de travail. Le processus de curage risque d'être salissant.
6. Placez le dégorgeoir sur le sol en position horizontale, voir la Figure 4. Le dégorgeoir devrait reposer fermement et sans bouger. N'utilisez pas l'appareil en position verticale. Ceci réduit les risques de renversement.
7. Retirez le bloc-piles de la perceuse. Préparez correctement la perceuse. (Voir la section *Préparation et utilisation des perceuses à piles*.) Serrez le mandrin de la perceuse sur l'arbre d'entraînement du dégorgeoir (Figure 4).

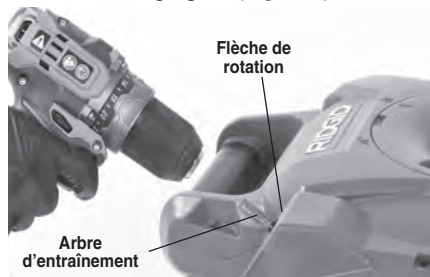


Figure 4 – Montage de la perceuse à l'arbre d'entraînement



Figure 5 – Exemple d'une prolongation de conduite arrivant à moins de 3 pi du dégorgeoir

8. Positionnez le dégorgeoir à moins de 3 pi (1 m) du point d'accès à la conduite. Une distance supérieure du point d'accès augmenterait les risques de vrillage ou pliage du câble gainé. Si le dégorgeoir FlexShaft ne peut pas être situé à moins de 3 pi (1 m) du point d'accès, prolongez ce dernier à l'aide de tuyaux et raccords de section sem-blable (voir Figure 5). Un câble gainé mal soutenu risque de se vriller ou se tordre au point d'endommager le câble ou blesser l'utilisateur. La prolongation du point d'accès a aussi l'avantage de faciliter l'avancement du câble gainé le long de la conduite.
9. Tournez le capuchon du câble afin de déplacer la flèche vers la position de déverrouillage, puis déposez le capuchon (Figure 6). Retirez le dégorgeoir et le câble du tambour. Introduisez le dégorgeoir à travers le trou du capuchon de câble et verrouillez le capuchon de câble dans sa position initiale. (Figure 7).



Figure 6 – Déverrouillage du capuchon



Figure 7A – Dépose du capuchon



Figure 7B – Retrait du dégorgeoir/du câble



Figure 7C – Introduction du câble à travers le trou du capuchon
Figure 7 – Retrait du dégorgeoir du tambour

10. Retirez environ 4 pi (1,2 m) de câble gainé du dégorgeoir.
11. Mettez un repère sur la gaine pour indiquer la proximité de la chaîne de curage lors de son retrait. Ceci peut se faire à l'aide d'un ruban adhésif. Cela limitera les risques de fouettement de la chaîne lorsqu'elle atteint l'ouverture de la conduite. Si cette distance dépend de la configuration de la conduite, elle devrait se trouver au minimum à 4 p (1,20 m) de la chaîne.
12. Assurez-vous que la chaîne de curage est correctement installée (reportez-vous à la section Montage et réglage de la chaîne de curage).
13. Introduisez la chaîne de curage dans la conduite sur une distance minimale de 1 pied (0,3 m).
14. Évaluez le besoin éventuel d'établir un périmètre de sécurité autour du chantier destiné à éloigner les curieux lors du processus de curage. Ce processus est parfois salissant, et les curieux risquent de distraire l'utilisateur.

15. Positionnez le dégorgeoir de manière à pouvoir y accéder facilement. Vous devez pouvoir tenir et contrôler le câble gainé en même temps que la gâchette de la perceuse.
16. Avec les mains sèches, insérez les bloc-piles dans la perceuse.

Préparation et utilisation de la perceuse à pile

Reportez-vous à la section *Caractéristiques techniques* en même temps que la présente section pour de plus amples renseignements sur les perceuses à piles adaptées aux dégorgeoirs FlexShaft. S'il existe de nombreux types de perceuse à piles, toutes ne sont pas compatibles avec les dégorgeoirs FlexShaft. En cas de doute concernant la compatibilité d'une perceuse particulière, ne l'utilisez pas. Retirez le bloc-piles de la perceuse avant tout réglage ou son montage ou retrait du dégorgeoir.

Gâchette de la perceuse

La perceuse doit être équipée d'une gâchette à contact momentané et non verrouillable. Cela assurera que la perceuse ne fonctionnera que lorsque l'utilisateur continue d'appuyer sur sa gâchette. Le fait de lâcher la gâchette arrête la perceuse. Réglez la rotation de la perceuse de manière qu'elle corresponde à la flèche de l'appareil (voir la Figure 4).

Vitesse de la perceuse

Lors de l'utilisation du dégorgeoir FlexShaft, le régime de rotation de la perceuse doit être situé entre 1 800 et 2 500 tr/min. Pour optimiser le nettoyage, tournez le dégorgeoir à près de 2 500 tr/min au maximum. Par conséquent, vous devez connaître les caractéristiques techniques et les réglages de la perceuse à piles afin d'optimiser le fonctionnement. De nombreuses perceuses à piles disposent de plusieurs réglages de vitesse, et leur vitesse maximale se situe typiquement dans la plage opératoire du matériel FlexShaft. N'utilisez pas le dégorgeoir FlexShaft à un régime de rotation supérieur à 2 500 tr/min.

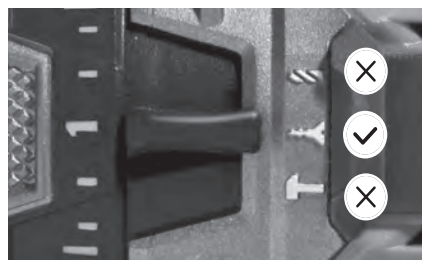
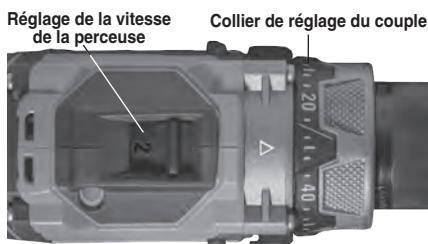


Figure 8 – Exemple de réglages de la perceuse

Réglage de l'embrayage réglable de la perceuse

Utilisez exclusivement une perceuse à piles équipée d'un système d'embrayage correctement réglé. L'embrayage réglable de la perceuse ne fonctionne que lorsque la perceuse est utilisée en « mode de vissage » (←). Lorsque l'embrayage réglable pour perceuse se relâche, le moteur continue de tourner, mais le mandrin de la perceuse s'arrête. Généralement, cela s'accompagne de vibrations/bruits de la perceuse. Lors du lancement du dégorgeoir FlexShaft, réglez le couple de la perceuse à environ 25 % de son couple maximal. Par exemple, si le collier de réglage de couple est gradué de « 1 » à « 20 », commencez à la position « 5 ».

En général, les perceuses à piles sont également équipées des modes de fonctionnement « perceuse » (↻) et « marteau » (⚡) (Figure 8). **Dans ces modes, l'embrayage réglable ne fonctionne pas, et ces modes ne doivent jamais être utilisés pour faire tourner le dégorgeoir FlexShaft.**

Utilisez le dégorgeoir conformément à ces instructions avec la chaîne de curage dans une conduite. Relâchez d'abord l'embrayage intégré de l'appareil FlexShaft K9-12 avant de relâcher l'embrayage de perceuse. Si, en cours d'utilisation, l'embrayage de perceuse se libère en continu (« relâchement de l'embrayage »), avant l'embrayage intégré du dégorgeoir FlexShaft K9-12, réglez l'embrayage

de perceuse. Relâchez la gâchette de la perceuse et retirez la perceuse du dégorgeoir. Augmentez le réglage de l'embrayage réglable de la perceuse. L'augmentation du réglage de l'embrayage de perceuse doit se faire par étapes jusqu'à ce que la perceuse fonctionne normalement sans se relâcher avant l'embrayage intégré de l'appareil FlexShaft K9-12.

Si l'embrayage intégré de l'appareil FlexShaft se dégage en permanence, retirez le câble de la canalisation. Examinez la configuration et le fonctionnement du dégorgeoir et vérifiez que tout est en ordre - pour optimiser le fonctionnement, il est nécessaire de sélectionner et de régler la chaîne de curage (*Voir les figures 10 et 11*). Effectuez les modifications nécessaires avant procéder au nettoyage de la conduite. Si la gâchette du dégorgeoir K9-12 continue de débrayer en cours d'opération, utilisez un autre type de dégorgeoir RIDGID.

Montage et réglage de la chaîne de curage

1. Choisissez la chaîne de curage la mieux adaptée aux conditions présentes.

Les chaînes de curage sont dimensionnées en fonction de la section intérieure de leurs colliers et la section du câble utilisé, les chaînes de curage de $\frac{1}{4}$ po se montent sur les câbles de $\frac{1}{4}$ po, etc. Ne tentez jamais de monter une chaîne de curage dont le diamètre est supérieur à celui du câble utilisé (par exemple $\frac{5}{16}$ po sur $\frac{1}{4}$ po). *Reportez-vous à la Figure 9 et au Tableau des distances de collier.*

Les chaînes de curage sans dents au carbure peuvent être utilisées dans les conduites courantes. **Ce type de chaîne est très bien adapté au déblocage des amas de graisse et similaires.**

Les chaînes de curage équipées de dents au carbure sont prévues pour le détartrage des parois de conduite et peuvent servir à l'élimination de racines. Les dents au carbure servent aux curages agressifs et risquent d'endommager les conduites, notamment celles en matière plastique ou en Orangeburg, ainsi que les tuyaux à parois minces, ou si la chaîne tourne trop longtemps au même endroit. *Reportez-vous à la Figure 10 : Tableau de sélection des vis de fixation.*

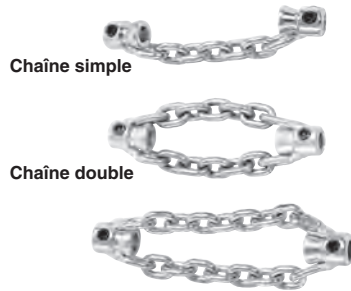





Figure 9 – Chaînes de curage

		 Chaînes de curage		 Chaînes de curage au carbure		 Chaînes de curage à tête pénétrante	
DESCRIPTION	K9-102 1,5 PO	K9-102 2 PO	K9-102 CARBURE DE 1,5 PO	K9-102 CARBURE DE 2 PO	K9-102 1,5 PO TÊTE PÉNÉTRANTE	K9-102 2 PO TÊTE PÉNÉTRANTE	
RÉF. DE CATALOGUE	64293	64298	64283	64288	66568	66573	
DIMENSIONS DU TUYAU	1,25 po-1,5 po (32 - 40 mm)	2 po (50 mm)	1,25 po-1,5 po (32 - 40 mm)	2 po (50 mm)	1,25 po-1,5 po (32 - 40 mm)	2 po (50 mm)	
TYPE DE TUYAU	CUIVRE	☑	☑	☑	☑	☑	☑
	GALVANISÉ	☑	☑	☑	☑	☑	☑
	FONTE	☑	☑	☑	☑	☑	☑
	PVC	☑	☑				
	ABS	☑	☑				
	ORANGEBURG	☑	☑				
	ONDULÉ	☑	☑				
	ARGILE	☑	☑				
OBSTRUCTION	GRAISSE	☑	☑	☑	☑	☑	☑
	BLOCAGE MOU	☑	☑	☑	☑	☑	☑
	ENTARTRAGE			☑	☑	☑	☑
	PETITES RACINES			☑	☑	☑	☑
	LINGETTES					☑	☑
	INCLUS AVEC LA TROUSSE	☑	☑				

Tous les accessoires FlexShaft de câble ¼ po (K9-102) sont compatibles avec le dégorgeoir FlexShaft K9-12.

Figure 10A – Tableau de sélection des vis de fixation



	Brosse en nylon		Tête à bille/ Tarière articulée	
	K9-102 NYLON 1,5 PO	K9-102 NYLON 2 PO	K9-102 TÊTE A BILLE	K9-102 TARIÈRE ARTICULÉE
DESCRIPTION	K9-102 NYLON 1,5 PO	K9-102 NYLON 2 PO	K9-102 TÊTE A BILLE	K9-102 TARIÈRE ARTICULÉE
RÉF. DE CATALOGUE	68933	68938	71838	71843
DIMENSIONS DU TUYAU	1,5 po (40 mm)	2 po (50 mm)	1,5 po (40 mm)	2 po (50 mm)
TYPE DE TUYAU	CUIVRE	☑	☑	☑
	GALVANISÉ	☑	☑	☑
	FONTÉ	☑	☑	☑
	PVC	☑	☑	☑
	ABS	☑	☑	☑
	ORANGEBURG	☑	☑	☑
	ONDULÉ	☑	☑	☑
	ARGILE	☑	☑	☑
	REVÊTEMENT PAR ARTICULATION	☑	☑	
APPLICATIONS	TUYAUX FRAGILES/ NETTOYAGE EN DOUCEUR	☑	☑	
	NETTOYAGE FINAL	☑	☑	
	PÉNÈTRE LES OBSTRUCTIONS			☑
	NAVIGATION DANS UN PETIT TUYAU			☑
	NAVIGATION VERS LE BAS DE L'OBSTRUCTION			☑
BAGUE DE FIXATION	68923	68923		

Tous les accessoires FlexShaft de câble ¼ po (K9-102) sont compatibles avec le dégorgeoir FlexShaft K9-12

Figure 10B – Tableau de sélection des vis de fixation.

2. La Figure 11 est un schéma du montage et réglage d'une chaîne de curage. Deux points principaux sont à considérer lors du montage et réglage des chaînes de curage.

Écartement des colliers : L'écart entre ses colliers détermine le mou de la chaîne lors de sa rotation afin qu'elle puisse nettoyer les parois de tuyau efficacement. Cet écart est déterminé en fonction la section du câble et de la section de la conduite en utilisant un morceau de gaine de longueur prédéterminée (« Gaine de collier »). Lorsqu'une souplesse de câble supplémentaire est nécessaire pour le franchissement d'un coude, la gaine d'écartement peut être retirée, et la distance entre colliers peut être réglée au ruban. À noter que l'absence d'une gaine d'écartement augmente les risques de retournement et d'endommagement du câble. **Afin de limiter les risques d'endommager le câble, n'utilisez jamais une chaîne de curage équipée de dents au carbure sans une gaine d'écartement.**

Câble exposé : Limitez la longueur de câble exposé (hors gaine). Plus le câble est exposé au-delà de la gaine, plus il risque de se retourner et de s'endommager en cours d'opération. La longueur de câble nu doit être limitée à ¼ po (6 mm) à l'aide d'un manchon fait d'un morceau de gaine (« manchon de chaîne »). Le câble exposé varie en fonction de la longueur de câble hors du tambour. Plus le câble est exposé au-delà du tambour, plus il devient petit. Pour de meilleurs résultats, il peut être nécessaire de régler le câble exposé avec le câble hors du tambour,

Une longueur de gaine est fournie avec le dégorgeoir et peut être obtenue séparément pour permettre la configuration spécifique nécessaire en fonction de votre application. Utilisez exclusivement de la gaine de dégorgeoir RIDGID FlexShaft de section correspondante à celle du câble utilisé. Les coupes de gaine doivent être propres et bien équerrées. Évitez d'endommager le câble lors de la coupe des gaines.

3. Le serrage des vis de blocage de la chaîne de curage au câble se fait à l'aide de la clé Allen de 3 mm fournie. Desserrez les vis de blocage, puis retirez la chaîne de curage, la gaine d'écartement et le manchon de chaîne du câble.

Dimensions du câble	Nombre de chaînes	Nombre de liaisons/chaînes	Chaîne de curage	
			Calibre nominal du tuyau	Distance de collier recommandée
1/4 po	1	7	1 1/4 po à 1 1/2 po (32 mm à 40 mm)	1 3/4 po (44,5 mm)
	2	7	1 1/2 po à 2 po (40 mm à 50 mm)	1 3/4 po (44,5 mm)

Tableau des distances de collier

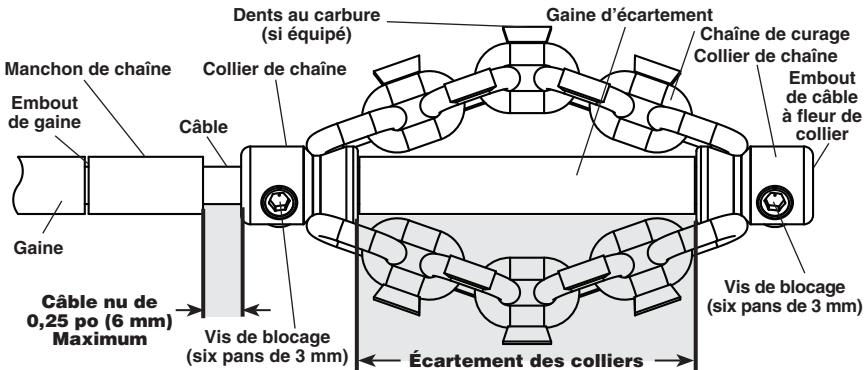


Figure 11 – Montage et réglage de la chaîne de curage

- Examinez l'embout de la gaine du câble à la recherche de signes d'usure ou de détérioration. L'embout de gaine doit être propre et d'équerre. Au besoin, redressez légèrement l'embout de la gaine.
- Au besoin, coupez un bout de gaine de longueur appropriée pour servir de gaine d'écartement (Voir le tableau intitulé *Tableau d'écartement des colliers*). L'écartement des colliers peut être modifié à souhait en fonction de vos préférences et de la configuration de la conduite. Lorsque l'écartement entre colliers augmente, le diamètre des chaînes diminue et vice-versa. Un écartement entre colliers mal réglé risque de nuire à l'efficacité de la chaîne.
- Faites un montage à blanc de la chaîne de curage, du manchon de chaîne et de la gaine d'écartement comme indiqué à la *Figure 11*. Les maillons de chaîne doivent être droits et sans replis. Afin d'éviter l'usure prématurée de l'embout du câble, celui-ci devrait arriver à fleur du collier.

Vérifiez la longueur du câble exposé. La longueur de câble exposé ne doit pas excéder 1/4 po (6 mm) afin d'éviter qu'il se renverse et s'endommage. Au besoin, coupez une rondelle de gaine pour cou-

vrir l'exposition excessive. **Prévoyez systématiquement une rondelle de chaîne afin de limiter l'usure de l'embout de la gaine de câble.**

- Une fois la chaîne de curage correctement installée sur le câble comme indiqué à la *Figure 11*, serrez les vis de blocage des colliers à l'aide de la clé Allen fournie. Amenez la pointe de la vis de blocage contre le câble, puis serrez-la de 1/8 à 1/4 de tour (45° à 90°) de plus. Des vis de blocage mal serrées risquent de permettre le glissement de la chaîne de curage et endommager le câble ou perdre la chaîne dans la conduite.

Montage des brosses

Les brosses sont fournies pour diverses utilisations, telles que le nettoyage de l'intérieur des conduites, le centrage de la chaîne de curage dans la conduite et l'épandage des produits de revêtement. *Reportez-vous aux informations spécifiques aux brosses pour les différentes utilisations (Voir la Figure 10B).*

Le montage des brosses est effectué de plusieurs manières; certains exemples sont illustrés à la *Figure 12*.



Figure 12A – Deux brosses espacées avec une chaîne de curage au milieu

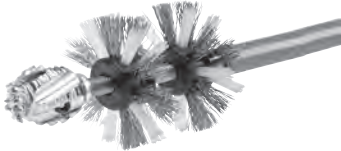


Figure 12B – Deux brosses espacées

Le montage des brosses est similaire à celui des chaînes de curage. Positionnez le collier de la brosse sur le câble et fixez-le en serrant fermement les vis de blocage. L'extrémité du câble est au même niveau que le collier de brosse. Les bagues de fixation de la brosse sont fournies afin d'améliorer la rétention de la brosse dans le cas où les vis de blocage se desserrent en cours d'opération.

Comme le cas des chaînes de curage, limitez la longueur de câble exposé (hors gaine). Plus le câble est exposé au-delà de la gaine, plus il risque de se retourner et de s'endommager en cours d'opération. Limitez la longueur de câble nu à $\frac{1}{4}$ po (6 mm) à l'aide d'un manchon fait d'un morceau de gaine (« manchon de chaîne »).

Montage de la tête pénétrante

Les chaînes de curage sont dotées de têtes pénétrantes afin de faciliter la création d'un trou en cas de blocage pour évacuer la conduite et permettre l'acheminement de la chaîne de curage dans une zone. Reportez-vous à la Figure 13 pour obtenir des informations sur le montage.

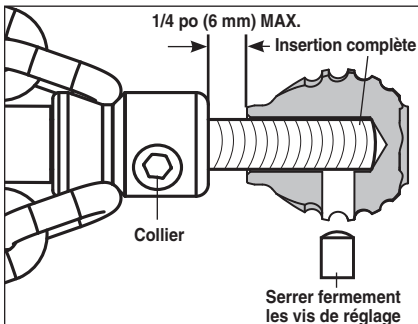


Figure 13 – Montage de la tête pénétrante

Consignes d'utilisation

⚠ AVERTISSEMENT



Portez systématiquement des lunettes de sécurité et des gants en bon état lors de la manipulation ou de l'utilisation du dégorgeoir. Afin de limiter les risques d'infection, brûlure ou autre graves lésions corporelles, prévoyez des gants en latex ou caoutchouc, une visière, des vêtements de protection, un respirateur ou autres équipements de protection appropriés en présence de produits chimiques, bactéries ou autres substances potentiellement toxiques ou infectieuses.

N'utilisez pas de perceuse électrique sur secteur. L'utilisation d'une perceuse sur secteur augmenterait les risques de choc électrique.

Ne permettez pas à la chaîne de curage en bout de câble de s'arrêter tant que la gâchette de la perceuse reste appuyée. Cela risquerait de mettre le câble en charge et provoquer le pliage ou la rupture du câble gainé, ce qui pourrait entraîner de graves blessures.

Respectez les règles d'hygiène d'usage. Ne jamais manger ou fumer lors de la manipulation ou utilisation du matériel. En fin d'opération, lavez vos mains et autres parties du corps exposées au contenu de la conduite à l'eau chaude savonneuse. Cela limitera les risques sanitaires associés à la présence de résidus toxiques ou infectieux.

Gardez une main sur le câble gainé à tout moment lorsque le dégorgeoir tourne. Cela assurera un meilleur contrôle du câble et limitera les risques de son vrillage, pliage ou rupture, ainsi que les risques de blessure.

Positionnez le dégorgeoir FlexShaft à moins d'un mètre (3 pieds) du point d'accès à la conduite ou soutenez le câble exposé de manière appropriée lorsque cette distance dépasse un mètre (3 pieds). Un écartement supérieur rendrait le câble plus difficile à contrôler et augmenterait les risques de vrillage, pliage ou rupture. Un câble vrillé, plissé ou rompu augmenterait les risques de blessure corporelle.

Un seul individu doit contrôler à la fois le câble gainé et la perceuse à piles. Ne jamais bloquer la gâchette de la perceuse en cours d'utilisation. Si le câble cesse de tourner, l'utilisateur doit pouvoir lâcher la gâchette de la perceuse à tout moment afin d'éviter qu'il se vrille, se plisse ou se casse dangereusement.

Respectez les consignes d'utilisation afin de limiter les risques de vrillage, rupture ou fouettement du câble, de renversement du dégorgeoir, de brûlure chimique, d'infection, etc.

1. Vérifiez la préparation appropriée du dégorgeoir et du chantier, ainsi que l'absence de curieux et autres distractions.
2. Retirez le câble gainé du dégorgeoir, puis introduisez-le dans la conduite. Il faut avoir au moins 1 pi (0,3 m) de câble à l'intérieur de la conduite afin d'empêcher la chaîne de curage de ressortir et fouetter lorsque le dégorgeoir est mis en marche.

Guidez le câble gainé du dégorgeoir jusqu'à la conduite en minimisant la distance et les changements de direction. Ne tordez pas le câble excessivement, car cela augmenterait les risques de vrillage et de rupture.

En cas d'utilisation Lors de l'utilisation d'une caméra d'inspection pour suivre le processus de curage, la caméra peut être enfilée dans la conduite simultanément. Typiquement, le câble gainé et celui de la caméra peuvent être tenus et avancés ou retirés ensemble. Maintenez la caméra à une distance minimale de 1,5 pi (0,5 m) derrière la chaîne de curage.

AVIS IMPORTANT Ne laissez jamais une chaîne de curage en rotation heurter la tête ou le câble de la caméra. Cela pourrait les endommager.

3. Tenez-vous de manière à pouvoir contrôler à la fois le câble gainé et la perceuse (Figure 14) :

- Assurez-vous de pouvoir rapidement lâcher la gâchette de la perceuse.
- Votre main gantée doit être sur le câble gainé afin de le contrôler et le soutenir lors de son avancement dans la conduite et contre le blocage.
- Assurez-vous de pouvoir maintenir votre équilibre, de ne pas avoir à vous pencher sur le dégorgeoir et de ne pas risquer de tomber sur celui-ci, la conduite, etc.

Une telle position de travail aidera à maintenir le contrôle du câble et du dégorgeoir FlexShaft.



Figure 14 – En position de travail

4. Vérifiez qu'au moins 1 pi (0,3 m) de câble gainé est à l'intérieur de la conduite.
5. Assurez-vous de la préparation appropriée de la perceuse, puis appuyez momentanément sur sa gâchette pour vérifier son sens de rotation. Le sens de rotation de la perceuse devrait correspondre à la flèche du tambour. (voir la Figure 4). N'utilisez la marche arrière que dans les cas précis indiqués plus loin. La rotation en marche arrière risque d'endommager le câble FlexShaft.
6. Posez une main sur le câble et l'autre sur la poignée de la perceuse.
7. Les dégorgeoirs FlexShaft font appel à un régime de rotation élevé à faible couple pour assurer le curage des conduites. Les câbles gainés du FlexShaft sont plus souples que les autres types de câbles de curage. Le meilleur moyen d'utiliser le dégorgeoir FlexShaft est de ralentir l'avancement du câble à la rencontre d'un blocage, puis de curer la canalisation en le retirant. **Il importe de laisser la vitesse de rotation de la chaîne se charger du curage de la conduite. Ne tentez jamais de forcer une chaîne de curage à travers un blocage.**
8. Avancement et retrait du câble gainé – Lubrifiant FlexShaft

Dans certains cas, il peut être bénéfique d'enduire la gaine du câble avec du lu-

brifiant RIDGID FlexShaft. Cela facilite son avancement le long de la conduite et permet une plus grande distance de nettoyage. Pour ce faire, tenez une serviette propre enduite de lubrifiant dans votre main gantée afin d'enduire le câble gainé lorsque vous le faites avancer (Figure 15). Rajouter du lubrifiant à la serviette au fur et à mesure de l'avancement.

Utilisez exclusivement du lubrifiant RIDGID FlexShaft. D'autres types de lubrifiant risquent d'être inadaptés aux conduites d'évacuation ou risquent de contaminer l'eau.

Lors du retrait du câble gainé, il est préférable d'utiliser une serviette pour essuyer la gaine du câble au fur et à mesure de son retrait et de son rembobinage dans le tambour.



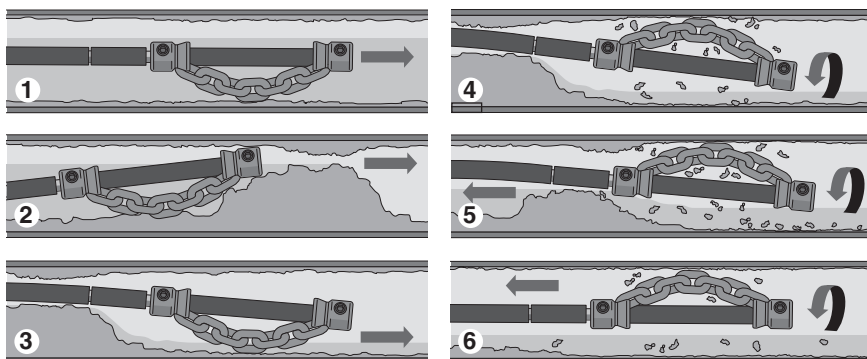
Figure 15 – Application de lubrifiant sur la gaine du câble

9. Lancement de la chaîne de curage

En fin d'opération, il est préférable de continuer à faire tourner la chaîne de curage durant le retrait du câble afin de parfaire le nettoyage de la canalisation. Ne lancez la rotation du câble/de la chaîne de curage qu'après l'avoir introduite sur une distance minimale de 1 pi dans la conduite. Pour lancer la rotation du câble, tenez la poignée de la perceuse fermement, puis appuyez sur sa gâchette. L'individu qui contrôle le câble gainé doit aussi contrôler la gâchette de la perceuse. Ne pas utiliser le dégorgeoir avec un individu contrôlant le câble gainé et un autre, la perceuse. Ne permettez pas au câble de se mettre en charge et se déformer à l'extérieur de la conduite. Cela risquerait de provoquer le vrillage, le pliage ou la rupture du câble. Lâchez la gâchette à tout moment pour interrompre la rotation du câble. Pour obtenir de meilleurs résultats, faites tourner le câble à plein régime lors du dégagement des blocages. **Ne tentez jamais de forcer la chaîne de curage à travers un blocage.** Dans certains cas, une variation de régime aidera à franchir les coudes. L'utilisation momentanée de la marche AVANT ou MARCHÉ ARRIÈRE tout en faisant avancer le câble gainé peut éventuellement l'aider à négocier la conduite et les blocages.

10. De manière générale, il est préférable d'introduire le câble dans la conduite d'évacuation avant de lancer la perceuse. Tenez la gaine à proximité de la sortie du tambour du dégorgeoir. Tirez-en une longueur de 6 po à 12 po (150 mm à 300 mm) du tambour pour former une légère courbure. Votre main gantée doit rester sur le câble gainé afin de le contrôler et le soutenir. Un câble mal soutenu risque de se plisser ou se tordre et s'endommager ou blesser l'utilisateur. Introduisez le câble gainé dans la conduite (Figure 16, Étape 1).
11. Continuez de faire avancer le câble jusqu'à ressentir une résistance. Travaillez la chaîne de curage précautionneusement à travers le blocage. **Ne forcez pas le câble gainé – si la chaîne de curage ne tourne pas, elle ne peut pas nettoyer la conduite.** Faites attention à la distance parcourue par le câble. Ne laissez pas le câble atteindre une conduite plus grande. Cela pourrait entraîner le bouclage du câble ou autres dégâts. (Figure 16, Étape 2).

Principe de fonctionnement des dégorgeoirs FlexShaft (voir ci-dessous) :



1. Faites avancer la chaîne de curage (normalement sans qu'elle tourne) jusqu'à la partie de conduite nécessitant un curage.
2. En présence d'un blocage, faites passer la chaîne de curage à travers du blocage.
3. Si possible, maintenez un filet d'eau afin de chasser les débris de curage éventuels.
4. Faites tourner le câble avec chaîne de curage à plein régime.
5. Continuez de faire tourner la chaîne. Retirez le câble de façon à éliminer le blocage.
6. Continuez de ramener le câble progressivement pour permettre à la chaîne de curage de nettoyer les parois de conduite.

Figure 16 – Étapes de fonctionnement avec chaîne de curage

12. Une fois la conduite débouchée, établissez si possible un filet d'eau afin d'en chasser les débris et nettoyer le câble gainé lors de son retrait. Ceci peut se faire en ouvrant un robinet sur le réseau ou par d'autres méthodes. Faites attention au niveau de l'eau, car la conduite risque de se boucher à nouveau (Figure 16, Étape 3).

13. Dès que la chaîne de curage a franchi le blocage ou la zone de curage, appuyez à fond sur la gâchette de la perceuse afin de relancer la rotation de la chaîne. Ramenez le câble gainé lentement en arrière le long de la conduite pour que la chaîne de curage nettoie ses parois et morcelle le blocage. (Figure 16, Étapes 4 et 5). **Si le câble cesse de tourner, arrêtez la perceuse.** Ceci risquerait de provoquer le vrillage et pliage du câble. Lâchez la gâchette à tout moment pour arrêter la rotation du câble.

Notez le mouvement du câble dans votre main et le bruit produit par la perceuse, ainsi que celui de la chaîne de curage à l'intérieur de la conduite. Si l'embrayage intégré de la perceuse FlexShaft se désengage (en raison des bruits de l'embrayage ou de la perceuse et une éventuelle vibration de la perceuse), il est probable que le câble a cessé de tourner.

Reportez-vous aux réglages de l'embrayage réglable de la perceuse dans la section Montage et fonctionnement de la perceuse. Si cela se produit, relâchez la gâchette de la perceuse pour arrêter la rotation de la perceuse. Lorsque la perceuse arrête de tourner, l'embrayage se réengage automatiquement. Toutefois, si l'embout du câble s'embourbe, dégagerez-le avant de continuer.

Il sera peut-être nécessaire de sortir la chaîne de curage du blocage afin de lui permettre de retrouver son plein régime.

Si la chaîne de curage s'embourbe, l'utilisation momentanée de la marche arrière peut aider à la dégager. Afin d'éviter d'endommager le câble, n'utilisez pas la marche arrière pendant plus de quelques secondes à la fois. Dans certains cas, il sera possible de retirer le câble gainé et le blocage manuellement de la conduite. Le cas échéant, faites attention de ne pas endommager le câble gainé. Retirez le blocage de la chaîne de curage, puis reprenez le curage de la conduite comme précédemment indiqué.

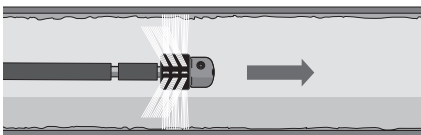
Lors de l'utilisation d'une caméra, faites attention de ne pas ramener la chaîne de curage contre la tête ou le câble de celle-ci.

Dans certains cas, afin de nettoyer le côté opposé de la conduite, vous pouvez utiliser la perceuse en MARCHE ARRIÈRE pendant une courte période.

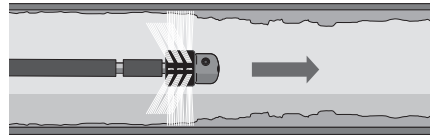
14. Continuez le curage du restant de la conduite en ramenant le câble. Une fois la conduite nettoyée, retirez le câble et rembobinez-le dans le dégorgeoir. Faites particulièrement attention durant ce processus, car le câble risque de s'entraver dans un blocage en cours d'opération (Figure 16, Étape 6).
15. Gardez l'oeil sur les repères de la gaine du câble lors du retrait; écoutez attentivement les bruits émis par la chaîne lorsqu'elle s'approche du bout du tuyau. Lâchez la gâchette de la perceuse dès que la chaîne de curage s'approche du bout de la conduite. Ne jamais retirer la chaîne de curage tant qu'elle tourne. La chaîne risque de fouetter et provoquer de graves lésions corporelles.
16. Au besoin, répétez le processus précédent pour parfaire le curage.
17. Retirez le câble restant de la conduite manuellement, puis réintroduisez-le dans le tambour. Préparez le dégorgeoir pour son transport.

Utilisation de la perceuse avec brosses

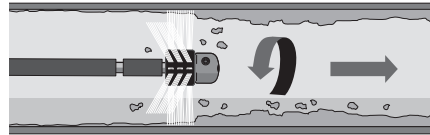
La perceuse avec brosse fonctionne de la même manière que la chaîne de curage. Les brosses sont utilisées pour nettoyer en profondeur les conduites et non pour éliminer les obstructions. Éliminez d'abord les obstructions et les débris lourds à l'aide d'une chaîne de curage ou en utilisant d'autres méthodes. En général, les chaînes de curage tournent pendant le retrait du câble de la conduite, alors que les brosses sont utilisées pendant l'introduction du câble. Cela est dû au fait que les brosses occupent tout l'intérieur de la conduite et propulsent tout débris faisant obstacle. Voir la Figure 17 pour les étapes générales.



Étape 1



Étape 2



Étape 3

Figure 17 – Nettoyage des parois de la conduite à l'aide d'une brosse

1. Introduire la brosse (normalement, elle ne tourne pas) dans la conduite d'évacuation.
2. A proximité de la zone de la conduite à nettoyer, commencez, si possible, à écouler de l'eau à travers la conduite afin d'évacuer les débris pendant le nettoyage.
3. Tournez le câble/la brosse à plein régime et introduisez progressivement le câble dans la conduite pour nettoyer les parois à souhait.

Vous pouvez également utiliser à la fois les brosses et les chaînes de curage tels que des dispositifs de centrage ou pour un nettoyage combiné. Il revient à l'utilisateur de décider de quelle méthode adoptée en fonction des tâches à réaliser.

Pour choisir davantage des accessoires, vous, pouvez utiliser des têtes de pointe de pénétration et les brosses ou des chaînes de curage.

Vidange du tambour

Si le câble est nettoyé pendant qu'il est tiré de la conduite, il ne devrait pas être nécessaire de vidanger le tambour. Au besoin, il convient d'enlever le capuchon du câble et de retourner le dégorgeoir afin de le vidanger.

Transport et remisage

▲ AVERTISSEMENT Rembobinez le câble et la chaîne de curage dans le tambour et fixe le capuchon. Retirez la perceuse de l'arbre d'entrée. Ne pas laisser la perceuse en place lors du transport et du remisage afin d'éviter le renversement et l'endommagement du dégorgeoir.

Rangez le dégorgeoir dans un local sec ou suffisamment protégé contre les intempéries. Gardez-le sous clé et hors de la portée des enfants et novices. Ce dégorgeoir peut devenir dangereux entre les mains d'individus n'ayant pas reçu la formation nécessaire.

Consignes d'entretien

⚠ AVERTISSEMENT

Retirez la perceuse du dégorgeoir avant toute intervention.

Portez systématiquement des lunettes de sécurité et autres équipements de protection appropriés lors de toute intervention.

Nettoyage

Il est conseillé d'utiliser une serviette pour essuyer le câble gainé lors de son retrait de la conduite afin d'assurer la propreté de l'appareil. Au besoin, le câble gainé peut être retiré du dégorgeoir pour ouvrir et rincer/nettoyer le tambour de l'appareil.

Nettoyez le dégorgeoir avec de l'eau savonneuse chaude et/ou un désinfectant doux. Vidangez le dégorgeoir au besoin.

Lubrification

Les dégorgeoirs FlexShaft sont lubrifiés à vie par le fabricant.

Remplacement des câbles gainés

1. Placez le dégorgeoir sur le sol en position d'utilisation horizontale.
2. Retirez entièrement le câble gainé du dégorgeoir.
3. Retirez les vis d'assemblage du dégorgeoir à l'aide d'une vis cruciforme. Retirez le tambour supérieur (Figure 18)

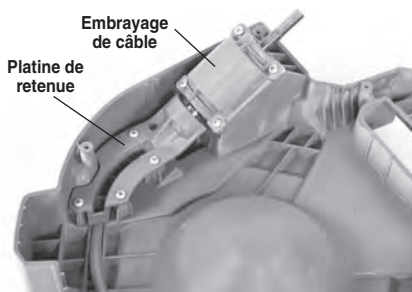


Figure 18 - Dépose du tambour supérieur du dégorgeoir

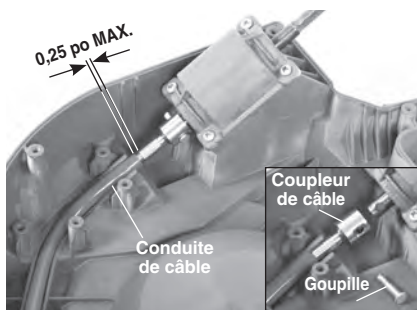


Figure 19 - Montage des câbles de rechange

4. Retirez les vis de fixation de la platine de retenue, puis retirez la platine (Figure 18).
5. Retirez la goupille de crantage du coupleur de câble.
6. Retirez le coupleur du câble de l'arbre d'embrayage de câble intégré, puis retirez le câble gainé.
7. Réassemblez en inversant le processus. Insérez complètement le câble dans la conduite du câble. La distance entre l'extrémité de la gaine et le coupleur ne doit pas dépasser 0,25 po (6 mm) (Voir la Figure 19).
8. Fixez fermement toutes les vis de fixation. Ne les serrez pas excessivement.

Dépannage

SYMPTÔME	CAUSE POSSIBLE	SOLUTION
Plissage ou rupture du câble.	Câble gainé en charge.	Ne forcez pas le câble gainé. Respectez les consignes du mode d'emploi.
	Type de dégorgeoir FlexShaft ou type de chaîne de curage inadapté à la section de la conduite.	Utilisez l'ensemble dégorgeoir FlexShaft et chaîne de curage adapté à la section de conduite.
	Perceuse en marche arrière.	N'utilisez la marche arrière que pour débloquer le câble.
	Câble exposé à l'acide ou corrodé.	Nettoyez le câble gainé régulièrement.
	Usure excessive du câble ou de la gaine.	Remplacez le câble gainé usé.
	Câble gainé mal soutenu.	Reportez-vous aux consignes visant le soutien approprié des câbles gainés.
Oscillation ou déplacement du dégorgeoir FlexShaft en cours de curage.	Chaîne de curage mal installée ou mal réglée.	Installez et réglez la chaîne de curage, voir les consignes correspondantes.
	Perceuse inappropriée ou mal réglée.	Utilisez une perceuse appropriée et réglée, voir les consignes correspondantes.
	Sol dénivélé.	Posez le dégorgeoir sur une surface stable et de niveau.

Révisions et réparations

⚠ AVERTISSEMENT

Le manque de révision ou de réparation du dégorgeoir risque de le rendre dangereux.

Le chapitre « *Consignes d'entretien* » couvrira la majorité des besoins de révision du dégorgeoir. Tout problème qui ne serait pas couvert dans cette section devrait être confié à un réparateur RIDGID indépendant. Utilisez exclusivement des pièces de rechange RIDGID.

Reportez-vous à la section *Coordonnées RIDGID* de ce manuel pour localiser le réparateur RIDGID le plus proche ou pour adresser toutes questions éventuelles visant la révision et réparation de l'appareil.

Accessoires

⚠ AVERTISSEMENT

Afin de limiter les risques d'accident grave, n'utilisez que ses accessoires spécifiquement prévus pour les dégorgeoirs RIDGID K9-12 FlexShaft, tels que ceux indiqués ci-après.

Réf. de catalogue	Description
64283	Chaîne de curage dentée simple pour câble, 1/2 po, 1 1/2 po et conduites de 2 po
64293	Chaîne de curage simple pour câble, 1/2 po, 1 1/2 po et conduites de 2 po
64288	Chaîne de curage dentée double pour câble, 1/2 po, et conduites de 2 po
64298	Chaîne de curage double pour câble, 1/2 po, et conduites de 2 po
64338	Carton de 12 cartouches de 8 oz de lubrifiant FlexShaft
64363	Accessoires pour tuyau à paroi RIDGID 1 1/4 po RIDGID
64368	Accessoires pour tuyau à paroi RIDGID 1 1/2 po
71838	Tête a bille pénétrante Ø 1 1/4" à 2"
71843	Tête orientable pénétrante Ø 1 1/4" à 2"
68933	Brosse en nylon de 1,5" (40 mm) pour câble de 1/4" (6 mm)
68938	Brosse en nylon de 2" (50 mm) pour câble de 1/4" (6 mm)
66568	Chaîne de curage au carbure FlexShaft à tête pénétrante pour câble de 1/4" et tuyaux Ø 1 1/4" à 1 1/2"
66573	Chaîne de curage au carbure FlexShaft à deux brins et tête pénétrante pour câble de 1/4" et tuyaux Ø 2"
76183	Câble FlexShaft de 1/4" x 30'
64643	Gaine FlexShaft Ø 1/4" de 12" de long

Consultez le catalogue Ridge Tool en ligne à l'adresse RIDGID.com ou reportez-vous à la

section Coordonnées pour la liste complète des accessoires RIDGID disponibles.

Recyclage

Certains composants de ces appareils ont une valeur de recyclage. Des entreprises de recyclage sont disponibles au niveau local. Disposez de ce matériel selon la réglementation en vigueur. Consultez les services de déchets locaux pour de plus amples renseignements.

Limpiadora de desagües

Limpiadora de desagües FlexShaft™ Modelo K9-12



⚠ ADVERTENCIA!

Antes de utilizar este aparato, lea detenidamente este Manual del Operario. Pueden ocurrir descargas eléctricas, incendios y/o graves lesiones si no se entienden y siguen las instrucciones de este manual.

RIDGID®

Índice de materias

Simbología de seguridad	43
Reglas de seguridad general	
Seguridad de la zona de trabajo.....	43
Seguridad eléctrica.....	43
Seguridad personal.....	44
Uso y cuidado de las herramientas.....	44
Servicio.....	44
Información de seguridad específica	44
Seguridad de la limpiadora de desagües FlexShaft.....	44
Información de contacto de RIDGID	45
Descripción	45
Especificaciones	46
Especificaciones: taladros a batería aceptables.....	46
Equipo estándar.....	46
Inspección previa a la operación	47
Preparación de la máquina y de la zona de trabajo	47
Preparación y operación del taladro a batería	50
Interruptor del taladro.....	50
Velocidad del taladro.....	50
Ajuste del embrague del taladro.....	50
Instalación y ajuste de la golpeadora de cadenas.....	51
Instalación de escobillas.....	55
Instalación del cabezal penetrante.....	55
Instrucciones de funcionamiento	55
Uso de la máquina con escobillas.....	59
Drenaje del tambor.....	60
Transporte y almacenamiento	60
Instrucciones de mantenimiento	60
Limpieza.....	60
Lubricación.....	60
Reemplazo del conjunto del cable.....	60
Resolución de problemas.....	61
Servicio y reparaciones.....	61
Equipo opcional	62
Eliminación	62
Declaración de conformidad de la CE	Interior de la carátula posterior
Garantía de por vida	Carátula posterior

*Instrucciones originales en inglés

Simbología de seguridad

En este manual del operario y en el producto mismo encontrará símbolos de seguridad y palabras de advertencia que comunican importante información de seguridad. Para su mejor comprensión, en esta sección se describe el significado de estas palabras y símbolos de advertencia.



Este es el símbolo de una alerta de seguridad. Sirve para prevenir al operario de las lesiones corporales que podría sufrir. Obedezca todas las instrucciones de seguridad que acompañan a este símbolo para evitar posibles lesiones o muerte.

⚠ PELIGRO

Este símbolo de PELIGRO advierte de una situación de peligro que, si no se evita, produciría la muerte o lesiones graves.

⚠ ADVERTENCIA

Este símbolo de ADVERTENCIA avisa de una situación de peligro que, si no se evita, podría producir la muerte o lesiones graves.

⚠ CUIDADO

Este símbolo de CUIDADO advierte de una situación de peligro que, si no se evita, podría producir lesiones leves o moderadas.

AVISO

Un AVISO indica información relacionada con la protección de un bien o propiedad.



Este símbolo significa que es necesario leer detenidamente su manual del operario antes de usar el equipo. El manual del operario contiene información importante acerca del funcionamiento apropiado y seguro del equipo.



Este símbolo indica que cuando utilice este equipo siempre debe usar gafas o anteojos de seguridad con viseras laterales, con el fin de reducir el riesgo de lesiones a los ojos.



Este símbolo indica que existe el riesgo de que los dedos, manos y otras partes del cuerpo se enganchen, queden enrollados o se aplasten debido a la limpiadora de desagües FlexShaft.



Este símbolo indica que hay riesgo de descargas eléctricas.



Este símbolo indica que hay riesgo de que sus dedos u otras partes del cuerpo se enganchen, queden enrollados, se aplasten o se golpeen por la golpeadora de cadenas. No haga funcionar el aparato si el extremo del cable está fuera del desagüe.



Este símbolo indica que siempre debe usar guantes cuando use o manipule este aparato, para reducir el riesgo de que el contenido del desagüe cause infecciones, quemaduras u otras lesiones graves.

Reglas de seguridad general

⚠ ADVERTENCIA

Lea y entienda todas las advertencias e instrucciones. Si no se respetan todas las instrucciones y advertencias, podrían producirse descargas eléctricas, incendios y/o lesiones graves.

¡GUARDE ESTAS INSTRUCCIONES!

Seguridad de la zona de trabajo

- Mantenga su zona de trabajo limpia y bien iluminada. Los lugares desordenados u oscuros pueden provocar accidentes.
- No haga funcionar las máquinas en ambientes explosivos, es decir, en presencia de líquidos, gases o polvo inflamables. Las máquinas pueden generar chispas que podrían encender los gases o el polvo.

- Mientras haga funcionar una máquina, mantenga alejados a los niños y espectadores. Cualquier distracción podría hacerle perder el control del aparato.
- Mantenga el piso seco y exento de materiales resbalosos como el aceite. Los suelos resbalosos pueden llevar a accidentes.

Seguridad eléctrica

- Evite el contacto de su cuerpo con artefactos conectados a tierra tales como cañerías, radiadores, estufas o cocinas, y refrigeradores. Aumenta el riesgo de choques de electricidad si su cuerpo ofrece conducción a tierra.
- No exponga las máquinas eléctricas a la lluvia ni permita que se mojen. Cuando a un aparato eléctrico le entra agua, aumenta el riesgo de choques de electricidad.

- Si resulta inevitable el empleo de una máquina eléctrica en un sitio húmedo, enchúfela en un tomacorriente protegido GFCI (dotado de un Interruptor del Circuito de Pérdida a Tierra). El interruptor GFCI reduce el riesgo de choques de electricidad.

Seguridad personal

- Manténgase alerta, preste atención a lo que está haciendo y use el sentido común cuando haga funcionar una máquina. No use ninguna máquina si usted está cansado o se encuentra bajo la influencia de drogas, alcohol o medicamentos. Tan solo un breve descuido durante el funcionamiento de una máquina eléctrica puede resultar en lesiones graves.
- Use equipo de protección personal. Siempre use protección para los ojos. Según corresponda para cada situación, colóquese equipo de protección como mascarilla para el polvo, calzado de seguridad antideslizante, casco o protección para los oídos, con el fin de reducir las lesiones personales.
- No trate de extender el cuerpo para alcanzar algo. Tenga los pies bien plantados y mantenga el equilibrio en todo momento. Esto permite un mejor control de la máquina en situaciones inesperadas.

Uso y cuidado de las herramientas

- No fuerce los aparatos. Use el equipo correcto para la tarea que está por realizar. Con la herramienta adecuada se hará mejor el trabajo y en forma más segura en la clasificación nominal para la cual fue diseñada.
- Almacene las máquinas que no estén en uso fuera del alcance de los niños y no permita que las hagan funcionar personas que no estén familiarizadas con este aparato o no hayan leído estas instrucciones de operación. Las herramientas son peligrosas en manos de personas no capacitadas.
- Haga la mantención de las herramientas. Revise el equipo para verificar que las piezas móviles no estén mal alineadas o agarrotadas. Verifique que no tenga partes rotas ni presente alguna otra condición que podría afectar su funcionamiento. Si un aparato está da-

ñado, hágalo reparar antes de utilizarlo. Muchos accidentes se deben a máquinas que no han recibido un mantenimiento adecuado.

- Mantenga los mangos secos, limpios y exentos de grasa y aceite. Esto permite un mejor control de la herramienta.

Servicio

- Encomiende el servicio de la herramienta únicamente a técnicos calificados que usen repuestos idénticos a las piezas originales. Así se garantiza la continua seguridad de la máquina.

Información de seguridad específica

⚠ ADVERTENCIA

Esta sección contiene información de seguridad importante que es específica para esta herramienta.

Antes de utilizar la limpiadora de desagües FlexShaft™, lea estas instrucciones detenidamente para reducir el riesgo de choque de electricidad o de otras lesiones graves.

¡GUARDE TODAS LAS INSTRUCCIONES Y ADVERTENCIAS PARA SU POSTERIOR CONSULTA!

Mantenga este manual junto con la máquina, para que lo use el operario.

Seguridad de la limpiadora de desagües FlexShaft

- Siempre use gafas de seguridad y guantes en buenas condiciones cuando use o manipule la máquina. Use guantes de látex o de goma, careta de protección facial, ropa de protección, respirador y otros equipos de protección apropiados cuando sospecha que el desagüe contiene sustancias químicas, bacterias u otras sustancias tóxicas o infecciosas. Esto reduce el riesgo de infecciones, quemaduras y otras lesiones graves.
- No use el aparato con un taladro provisto de cordón. Esto aumenta el riesgo de choque eléctrico y otras lesiones.
- No permita que la golpeadora de cadenas o el extremo del cable dejen de girar cuando el interruptor del taladro está presionado. Esto puede tensar el cable excesivamente y hacer que el con-

junto del cable se tuerza, se pliegue o se corte. Esto podría provocar lesiones graves.

- **Mantenga buena higiene personal. No coma ni fume cuando manipule o haga funcionar la máquina. Después de manejar o hacer funcionar una máquina para limpiar desagües, use agua caliente y jabón para lavarse las manos y las partes del cuerpo expuestas a los líquidos del desagüe.** Esto reduce el riesgo a la salud por exposición a materiales tóxicos o infecciosos.
- **Emplee la limpiadora de desagües FlexShaft únicamente para limpiar desagües de los diámetros especificados.** Si usa una limpiadora de desagües del tamaño equivocado, el cable se puede torcer, plegar o cortar, y podría producir lesiones personales.
- **Mantenga siempre una mano sobre el conjunto del cable cuando la máquina FlexShaft esté andando.** Así se controla mejor el cable y ayuda a impedir que se tuerza, se pliegue o se corte, lo cual puede causar lesiones.
- **Coloque la máquina a menos de 3 pies (1 metro) de la entrada del desagüe o apoye bien el conjunto del cable expuesto cuando la máquina esté a más de 3 pies (1 metro) de distancia.** Si sitúa la máquina demasiado lejos, se reduce el control y el cable se podría torcer, plegar o cortar, lo cual puede causar lesiones por golpes o aplastamiento.
- **Una sola persona debe controlar tanto el conjunto del cable como el taladro a batería.** No trabe el interruptor del taladro en la posición ON (encendido) durante su operación. Si el cable deja de rotar, el operario debe ser capaz de soltar el interruptor del taladro para impedir que el cable se tuerza, se pliegue o se corte. Esto reduce el riesgo de lesiones.
- **No use ropa suelta ni joyas. Mantenga el pelo y la ropa alejados de las piezas en movimiento.** La ropa suelta, las joyas o el pelo podrían engancharse en las piezas en movimiento.
- **El operario no debe hacer funcionar la máquina si él o la máquina están parados en agua.** Si la máquina está en el agua mientras funciona, aumenta la posibilidad de descargas eléctricas.
- **No use el aparato si durante su operación existe algún riesgo de con-**

tacto con otros servicios tales como conductos de gas natural o cables de electricidad. Se recomienda hacer una inspección visual del desagüe con una cámara. Los tubos que se interpenetran, los cables o tubos de servicio mal colocados o los desagües dañados pueden entrar en contacto con la barrena, lo cual dañaría el tubo o cable. Esto puede producir choque de electricidad, fugas de gas, incendio, explosión o algún otro daño o lesión grave.

- **Antes de utilizar este aparato, lea y entienda estas instrucciones y las instrucciones y advertencias para todos los equipos.** Si no se respetan todas las instrucciones, podría producirse un daño a la propiedad o lesiones graves.

Información de contacto de RIDGID

Si tiene alguna pregunta acerca de este producto RIDGID®:

- Comuníquese con el distribuidor RIDGID en su localidad.
- Visite RIDGID.com para averiguar dónde se encuentra el contacto RIDGID más cercano.
- Comuníquese con el Departamento de Servicio Técnico de Ridge Tool en ProToolsTechService@Emerson.com, o llame por teléfono desde EE. UU. o Canadá al 844-789-8665.

Descripción

La máquina limpiadora de desagües FlexShaft™ Modelo K9-12 de RIDGID® usada con los accesorios apropiados está diseñada para limpiar y desincrustar tuberías y desagües de 1¼ pulgadas a 2 pulgadas, en fregaderos de cocina, lavabos de baño, desagües de bañeras y duchas, tuberías de lavarropa y HVAC.

Se usa un taladro a batería, proporcionado por el usuario, para impulsar la limpiadora de desagües FlexShaft. El conjunto del cable de la limpiadora FlexShaft K9-12 se alimenta a mano para meterlo y sacarlo del desagüe. Se usa una golpeadora de cadenas, que se expande hasta ocupar todo el diámetro interior del tubo, para destruir el bloqueo y limpiar las paredes del tubo. La limpiadora FlexShaft K9-12 tiene un embrague integrado que sirve para proteger el cable. Este sistema reduce la

probabilidad de dañar el cable si las golpeadoras de cadenas se traban o se incrustan en un bloqueo.

La limpiadora de desagües FlexShaft se adapta bien al uso con cámaras de inspección durante el procedimiento de limpieza del tubo. La máquina FlexShaft es compacta y liviana, lo cual facilita su transporte.



Figura 1 A – Limpiadora de desagües FlexShaft K9-12 de RIDGID®



Figura 1 B – Limpiadora de desagües FlexShaft K9-12 de RIDGID®

Especificaciones

- Diámetro del desagüe (nominal)..... 1-1/4 pulg. a 2 pulg. (32 a 50 mm)
- Diámetro del cable (sin vaina)... 1/4 pulg. (6 mm)
- Diámetro del conjunto del cable (con vaina)..... 3/8 pulg. (9,5 mm)
- Largo del conjunto del cable 30 pies (9 m)

- Velocidad de rotación..... Máximo 2500 RPM
- Acoplamiento al taladro..... 5/16 pulg., hexagonal (8 mm)
- Embrague integrado..... No ajustable
- Peso (sin taladro ni golpeadora)..... 8,4 libras (3,8 kg)
- Dimensiones (sin taladro)..... 4.8 x 12,9 x 15.1 pulg. (122 x 328 x 384 mm)
- Temperatura de funcionamiento 20°F a 140°F (-6°C a 60°C)

No se recomienda usar la limpiadora de desagües FlexShaft para limpiar tubos o artefactos de vidrio, cerámica, porcelana o semejantes, ya que se podrían dañar.

Especificaciones: taladros a batería aceptables

- Velocidad de rotación..... 1800 a 2500 RPM
 - Tamaño del mandril..... 3/8 pulg. (10 mm) o mayor
 - Embrague del taladro..... Ajustable
 - Tipo de interruptor De contacto momentáneo
 - Bloqueo del interruptor No tiene
- El taladro debe llevar la marca de certificación correspondiente al mercado (marca CE, c) us, etc.).

El operario no debe usar taladro con cordón, rotomartillo ni impulsor de impacto. Si se usa un taladro que no corresponde, aumenta el riesgo de daño a los equipos y lesiones personales. *Vea la sección Preparación y operación del taladro a batería.*

Equipo estándar

Consulte el catálogo RIDGID para ver los equipos que se suministran con cada tipo de limpiadora de desagües y sus números de catálogo.

AVISO Esta máquina está diseñada para limpiar desagües. Si se usa correctamente no dañará desagües que estén en buenas

condiciones y bien diseñados, contruidos y mantenidos. Si el desagüe está en malas condiciones o está mal diseñado, construido o mantenido, el procedimiento de limpieza podría no ser eficaz o podría dañar la tubería. La mejor forma de determinar las condiciones de un desagüe antes de limpiarlo es mediante una inspección visual con una cámara. El uso inapropiado de esta limpiadora de desagües podría dañar la máquina y el desagüe. Es posible que esta máquina no logre desatascar todas las obstrucciones.

Inspección previa a la operación

⚠ ADVERTENCIA



Antes de cada uso, revise la limpiadora de desagües y corrija cualquier problema existente con el fin de reducir el riesgo de lesiones graves por descargas eléctricas, cables torcidos o cortados, quemaduras químicas, infecciones u otras causas, y para impedir que se dañe la máquina limpiadora de desagües.

Siempre use anteojos de seguridad y equipo de protección apropiado cuando inspeccione la limpiadora de desagües.

1. Limpie la limpiadora de desagües, incluyendo los mangos y controles. Esto facilita la inspección y ayuda a prevenir que la máquina o el control se le resbalen de las manos. Haga la limpieza y la mantención de la máquina de acuerdo con las instrucciones de mantenimiento.
2. Inspeccione la limpiadora de desagües para verificar lo siguiente:
 - Está bien ensamblada y completa.
 - No tiene partes rotas, desgastadas, faltantes, mal alineadas o agarradas.
 - La etiqueta de advertencias está presente y se puede leer. *Vea la Figura 2.*
 - El conjunto del cable se desliza dentro y fuera de la máquina fácilmente y sin atascarse.
 - No existe ninguna condición que podría impedir el funcionamiento seguro y normal de la máquina.

Si encuentra algún problema, no use la limpiadora de desagües hasta que se haya reparado.



Figura 2 – Etiqueta de advertencias

3. Limpie los residuos que podrían estar presentes en el conjunto de cable y las golpeadoras de cadenas. Inspeccione la vaina del cable para verificar que no esté desgastada ni dañada. No debería tener tajos, cortes, plegaduras ni desgaste excesivo. Inspeccione el cable cerca de la golpeadora de cadenas. El conjunto del cable no debe estar doblado ni deformado. Los hilos del cable no deben estar separados. Inspeccione la golpeadora de cadenas para verificar que no esté dañada o desgastada. Si los eslabones de la cadena tienen un desgaste de más del 25% o si están dañados, reemplace la golpeadora de cadenas. Reemplace los componentes desgastados o dañados antes de usar la limpiadora de desagües..

Confirme que la golpeadora de cadenas esté bien instalada y bien fija en el cable.

4. Inspeccione el taladro a batería según sus instrucciones. Asegure que el taladro esté en buenas condiciones de funcionamiento y que su interruptor controle la operación del aparato. Confirme que el taladro cumple con los requisitos señalados en la sección *Especificaciones* y que está bien preparado para usar con la máquina.
5. Inspeccione todos los demás equipos utilizados y haga el mantenimiento necesario según sus instrucciones, para asegurar su buen funcionamiento.

Preparación de la máquina y de la zona de trabajo

⚠ ADVERTENCIA



Instale la limpiadora de desagües y la zona de trabajo según estos procedimientos, para reducir el riesgo de lesiones por choque de electricidad, incendio,

volcamiento de la máquina, cables retorcidos o cortados, quemaduras químicas, infecciones y por otras causas, y para prevenir que se dañe la máquina.

Siempre use gafas de seguridad y otros equipos de protección apropiados cuando instale la limpiadora de desagües.

1. Inspeccione la zona de trabajo para determinar si es apropiada. El trabajo debe realizarse en un lugar despejado, nivelado, estable y seco. No use la limpiadora de desagües si está parado en una superficie con agua.
2. Inspeccione el desagüe que debe limpiar. En lo posible, determine cuáles son los puntos de acceso al desagüe, los diámetros y longitudes de los desagües, los materiales de la tubería, las distancias entre el acceso al desagüe y las tuberías principales, la naturaleza del atasco, presencia de sustancias químicas para limpiar desagües o de otros materiales químicos, etc.

Si el desagüe contiene sustancias químicas, es importante entender cuáles son las medidas de seguridad exigidas para trabajar en presencia de dichas sustancias. Comuníquese con el fabricante de los productos químicos para obtener la información necesaria. Confirme que no hay cables ni otros tubos dentro del desagüe o en una zona cercana, para reducir el riesgo de daño. Es prudente hacer una inspección visual del desagüe con una cámara.

Si fuera necesario, saque el artefacto sanitario (inodoro, etc.) para permitir el acceso al desagüe. No haga funcionar la golpeadora de cadenas dentro de un artefacto sanitario. Esto podría dañar la máquina FlexShaft o el artefacto.

La limpieza del desagüe procede mejor si se hace correr agua por la tubería durante la operación, para ir arrastrando los desechos. Para fregaderos o lavabos con desagües de 1¼ pulg. o 1½ pulg., hay tuberías con un recorte que permiten el acceso al tubo mural, para facilitar esta limpieza (vea la instalación en la Figura 3). Coloque un recipiente debajo del accesorio para recibir los líquidos que podrían salirse del desagüe.

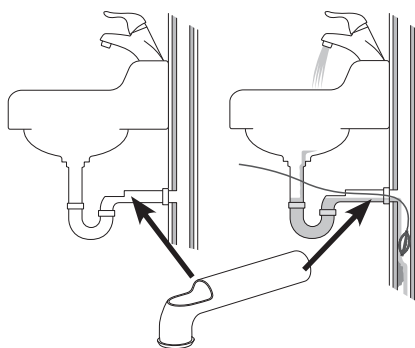


Figura 3 – Instalación de la tubería de acceso al tubo mural (accesorio disponible)

3. Determine cuál es la limpiadora correcta para la tarea. *Vea las Especificaciones.* Para encontrar limpiadoras de desagües para otras tareas, consulte el catálogo en línea de Ridge Tool en RIDGID.com.
4. Asegure que todos los equipos estén debidamente inspeccionados.
5. Si fuera necesario, cubra la zona de trabajo con protectores. La limpieza de desagües es una tarea sucia.
6. Coloque la limpiadora de desagües en el suelo, en la posición de trabajo horizontal. *Vea la Figura 4.* La máquina debe estar bien asentada y estable contra el suelo. No haga funcionar la máquina en posición vertical, ya que la máquina se podría volcar.
7. Extraiga la batería del taladro. *Vea la sección Preparación y operación del taladro a batería.* Conecte el mandril del taladro para que quede bien asentado en el eje hexagonal de acoplamiento al taladro (Figura 4).



Figura 4 – Conexión del taladro al eje de acoplamiento



Extensión del
desagüe

Figura 5 – Ejemplo de cómo extender el desagüe para que el acceso quede a menos de 3 pies (1 m) de la salida del cable

8. Sitúe la máquina limpiadora de desagües de manera que la salida del cable quede a menos de 3 pies (1 metro) de la entrada al desagüe. A mayor distancia, aumenta el riesgo de que el conjunto del cable se tuerza o se pliegue. Si no puede colocar la máquina FlexShaft de manera que la apertura del cable quede a menos de 3 pies (1 m) de la entrada al desagüe, coloque una extensión del desagüe para alcanzar la limpiadora resulta más fácil ir metiendo el conjunto del cable por el tubo de desagüe.

9. Gire la tapa del compartimiento del cable para hacer coincidir la flecha con la posición desbloqueada y extraiga la tapa (Figura 6). Extraiga del tambor la golpeadora de cadenas y el conjunto del cable. Alimente la golpeadora de cadenas a través del agujero destapado y trabe la tapa del compartimiento del cable en su posición original (Figura 7).



Figura 6 – La tapa se desbloquea



Figura 7 A – La tapa se extrae



Figura 7 B – Se retiran del tambor el cable y la golpeadora de cadenas



Figura 7 C – El cable se alimenta a través del agujero destapado

Figura 7 – Extracción de la golpeadora de cadenas fuera del tambor

10. Jale unos 4 pies (1,2 m) de conjunto de cable fuera de la máquina.

11. Marque la vaina para indicar en qué punto se acerca la golpeadora de cadenas a la apertura del desagüe cuando esté retirando el cable. Puede marcar la vaina con cinta adhesiva. Así se reduce el riesgo de sacar la golpeadora de cadenas del desagüe mientras está todavía girando y dé latigazos. La distancia de-

pende de la configuración del desagüe, pero debe estar a por lo menos 4 pies (1,2 m) de la golpeadora de cadenas.

12. Asegure que la golpeadora de cadenas esté correctamente instalada (vea la sección *Instalación y ajuste de la golpeadora de cadenas*).
13. Introduzca el extremo con la golpeadora de cadenas dentro del desagüe, por lo menos un pie (30 cm).
14. Revise la zona de trabajo y determine si debe colocar barreras para mantener alejados a los observadores del lugar de trabajo y de la máquina limpiadora de desagües. El procedimiento de limpieza puede ensuciar el lugar y los observadores podrían distraer al operario.
15. Coloque la limpiadora de desagües de manera que sea fácil de controlar. El operario debe ser capaz de sostener y controlar el conjunto del cable y el interruptor del taladro.
16. Con las manos secas, inserte la batería en el taladro.

Preparación y operación del taladro a batería

Vea en la sección *Especificaciones* y en esta sección la información sobre los taladros a batería aceptables para usar con la limpiadora de desagües FlexShaft. Hay muchos tipos de taladros a batería disponibles pero no todos son apropiados para usar con limpiadoras de desagües FlexShaft. Si tiene alguna duda acerca del taladro que desearía usar para esta tarea, no lo use. Extraiga la batería del taladro antes de hacer ajustes o de conectar o desconectar el taladro a la limpiadora de desagües.

Interruptor del taladro

El taladro debe estar provisto de un interruptor de contacto momentáneo, sin bloqueo del interruptor. Esto significa que el taladro gira solamente cuando el operario está oprimiendo el interruptor del taladro. Si se suelta el interruptor, el taladro se APAGA. Fije la rotación del taladro para que corresponda a la flecha en la máquina (vea la Figura 8).

Velocidad del taladro

Cuando use la limpiadora de desagües FlexShaft, los límites de velocidad de rotación son 1800 a 2500 rpm. La limpieza se hace

mejor cuando la golpeadora de cadenas gira a una velocidad que se aproxima al máximo de 2500 rpm. El operario debe conocer las especificaciones y los ajustes del taladro a batería, para lograr un funcionamiento óptimo. Muchos taladros a batería tienen varios ajustes de velocidad y generalmente la velocidad máxima está dentro de los límites para la máquina FlexShaft. No haga funcionar la limpiadora de desagües FlexShaft a velocidades superiores a 2500 rpm.

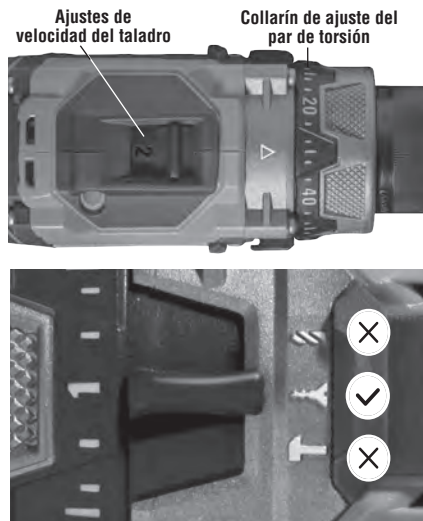


Figure 8 – Ejemplos de ajustes del taladro

Ajuste del embrague del taladro

Siempre use un taladro a batería que tenga un embrague ajustable correctamente regulado. El taladro debe usarse únicamente en la modalidad de "atornillador" (←) para que pueda funcionar el embrague ajustable. Cuando se suelta el embrague ajustable del taladro, el motor sigue girando pero el mandril se detiene. Muchas veces esto hace que el taladro vibre o emita un ruido. Cuando use la limpiadora de desagües FlexShaft K9-12, siempre empiece con el ajuste del embrague fijado a aproximadamente el 25% de la gama total de ajustes del embrague. Por ejemplo, si el collarín de ajuste del par de torsión está marcado del 1 al 20, el ajuste inicial debe ser 5.

Los taladros a batería frecuentemente tienen modalidades de funcionamiento de "Taladro" (↔) y de "Martillo" (→) (Figura 8). **El embrague ajustable no funciona en estas modalidades, y nunca debe usar estas**

modalidades para la operación de la limpiadora de desagües FlexShaft.

Haga funcionar la limpiadora de desagües según estas instrucciones, estando la golpeadora de cadenas dentro del desagüe. El embrague integrado de la máquina FlexShaft K9-12 debe soltarse primero, antes de soltarse el embrague del taladro. Durante el funcionamiento, si el embrague del taladro continuamente se suelta antes de que se suelte el embrague integrado de la limpiadora de desagües FlexShaft K9-12, debe ajustar el embrague del taladro. Suelte el interruptor del taladro y separe el taladro de la máquina. El ajuste del embrague del taladro se debe aumentar. El ajuste del embrague del taladro se puede ir aumentando en forma escalonada hasta que se logre una operación suave del taladro sin que el embrague se suelte antes del embrague integrado de la limpiadora de desagües FlexShaft K9-12.

Si el embrague integrado de la limpiadora de desagües FlexShaft se suelta continuamente, extraiga el cable del desagüe. Revise el montaje de la limpiadora de desagües y su funcionamiento, para verificar que todo está bien. Una parte importante de la instalación es la selección y ajuste de la golpeadora de cadenas (vea las Figuras 10 y 11). Haga los cambios necesarios y siga limpiando el desagüe. Si el embrague integrado de la máquina FlexShaft K9-12 se sigue soltando, tal vez convenga usar otra limpiadora de desagües de RIDGID.

Instalación y ajuste de la golpeadora de cadenas

1. Seleccione la golpeadora de cadenas que corresponda a la tarea.

Las golpeadoras de cadenas se clasifican según el tamaño que se basa en el diámetro interior del collarín. Están diseñadas para cables de diámetros específicos. Las golpeadoras de cadenas de $\frac{1}{4}$ pulgada se usan con cables de $\frac{1}{4}$ pulgada, etc. No debe usarse una golpeadora de cadenas de tamaño mayor junto con un cable de diámetro más pequeño, como por ejemplo una golpeadora de cadenas de $\frac{5}{16}$ " con un cable de $\frac{1}{4}$ ". Vea la Figura 9 y la tabla de distancias entre collarines.



Se pueden usar golpeadoras de cadenas sin puntas cortantes de carburo si los tubos son de tipos comunes. **Estas gol-**

peadoras de cadenas funcionan bien para desmenuzar atascos de grasa y bloqueos semejantes.

Las golpeadoras de cadenas con puntas cortantes de carburo se usan para desalojar las incrustaciones en las paredes internas de un tubo y para despejar incrustaciones y raíces. Las puntas cortantes de carburo se usan para hacer una limpieza enérgica y podrían dañar el tubo, especialmente si se trata de materiales menos duros, tales como los tubos de plástico o los tubos Orangeburg (de fibra prensada), tubos de pared delgada, o si la golpeadora de cadenas se deja en una sola posición durante demasiado tiempo. Vea en la Figura 10 las tablas de selección de accesorios.



Figura 9 – Golpeadoras de cadenas

		 Golpeadoras de cadenas		 Golpeadoras de cadenas con puntas de carburo		 Golpeadoras de cadenas con cabezal penetrante	
Descripción		K9-102, 1,5"	K9-102, 2"	K9-102, carburo, 1,5"	K9-102, carburo, 2"	K9-102, cabezal penetrante, 1,5"	K9-102, cabezal penetrante, 2"
N.º de Cat.		64293	64298	64283	64288	66568	66573
Diá. del tubo		1,25" a 1,5" (32 a 40 mm)	2" (50 mm)	1,25" a 1,5" (32 a 40 mm)	2" (50 mm)	1,25" a 1,5" (32 a 40 mm)	2" (50 mm)
TIPO DE TUBO	Cobre	☑	☑	☑	☑	☑	☑
	Galvanizado	☑	☑	☑	☑	☑	☑
	Hierro fundido	☑	☑	☑	☑	☑	☑
	PVC	☑	☑				
	ABS	☑	☑				
	Orangeburg	☑	☑				
	Corrugado	☑	☑				
	Arcilla	☑	☑				
ATASCO	Grasa	☑	☑	☑	☑	☑	☑
	Atasco blando	☑	☑	☑	☑	☑	☑
	Incrustaciones			☑	☑	☑	☑
	Raíces ligeras			☑	☑	☑	☑
	Pañitos wipes					☑	☑
	Incluidos con el kit	☑	☑				

Todos los accesorios para cable FlexShaft de ¼" (K9-102) son compatibles con la limpiadora de desagües FlexShaft K9-12

Figura 10 A – Tabla de selección de accesorios



	Escobilla de nylon		Cabezal de bola/articulado		
	K9-102, nylon, 1,5"	K9-102, nylon, 2"	K9-102, cabezal de bola	K9-102, cabezal articulado	
Descripción					
N.º de Cat.	68933	68938	71838	71843	
Diá. del tubo	1,5" (40 mm)	2" (50 mm)	1,5" (40 mm)	2" (50 mm)	
TIPO DE TUBO	Cobre	✓	✓	✓	
	Galvanizado	✓	✓	✓	
	Hierro fundido	✓	✓	✓	
	PVC	✓	✓	✓	
	ABS	✓	✓	✓	
	Orangeburg	✓	✓	✓	
	Corrugado	✓	✓	✓	
	Arcilla	✓	✓	✓	
	APLICACIONES	Revestimiento rociado	✓	✓	
		Tubo frágil, limpieza suave	✓	✓	
Limpieza final		✓	✓		
Penetra bloques				✓	
Atraviesa tubos pequeños				✓	
Baja por tubos verticales				✓	
Anillo de fijación		68923	68923		

Todos los accesorios para cable FlexShaft de ¼" (K9-102) son compatibles con la limpiadora de desagües FlexShaft K9-12

Figura 10 B – Tabla de selección de accesorios

2. La Figura 11 muestra un dibujo que indica cómo hacer correctamente la instalación y ajuste de las golpeadoras de cadenas. Hay dos mediciones claves para la instalación y ajuste de las golpeadoras de cadenas.

Distancia entre los collarines: Separe los collarines de la golpeadora de cadenas a una distancia correcta ("Distancia entre collarines") que permita una buena separación de las cadenas cuando giran y chocan contra las paredes del tubo. La distancia entre collarines varía según el diámetro del cable y el diámetro del tubo, y generalmente se fija mediante un espaciador fabricado del material de la vaina ("espaciador de collarines"). Si se exige mayor flexibilidad para atravesar una curva en el tubo, se puede quitar el espaciador y se puede fijar la distancia entre collarines mediante una cinta para medir. Cuando la golpeadora de cadenas se hace funcionar sin espaciador de collarines es más probable que el cable se vuelque durante el uso y se dañe. **Para reducir el riesgo de dañar el cable, no use puntas cortantes de carburo si no tiene colocado un espaciador de collarines.**

Cable expuesto: Reduzca a un mínimo el tramo de cable expuesto (es decir, el cable que no está cubierto por la vaina). Mientras más cable esté expuesto, más probable es que el cable se vuelque durante el uso y se dañe. Limite el cable expuesto a no más de ¼" (6 mm); esto se fija con un casquillo hecho de la vaina ("casquillo de la golpeadora"). La longitud de cable expuesto varía según cuánto cable esté fuera del tambor. Mientras más cable esté fuera del tambor, menor es la cantidad de cable expuesto. Para lograr un mejor resultado, fije la cantidad de cable expuesto con el cable extraído del tambor.

Se suministra la vaina junto con la limpiadora de desagües y es un repuesto que se puede pedir para permitir al operario hacer la configuración necesaria para cada aplicación. Use solamente vaina para limpiadora de desagües FlexShaft de RIDGID, del tamaño apropiado para el cable. Cuando se corte un tramo de vaina, el corte debe ser limpio y a escuadra. No dañe el cable cuando corte la vaina.

- Las golpeadoras de cadenas están sujetas al cable con tornillos de montaje, usando una llave hexagonal de 3 mm, que se suministra. Afloje los tornillos de montaje y extraiga del cable la golpeadora de cadenas, el espaciador y el casquillo.
- Inspeccione el extremo de la vaina para verificar que no esté dañado ni desgastado. El extremo de la vaina debe ser un corte limpio y a escuadra. Si es necesario, puede recortar un poco el extremo de la vaina.
- Si es necesario, corte una sección de la vaina para usar como espaciador de collarines del tamaño apropiado (vea la tabla de distancias entre collarines).
La distancia entre collarines se puede modificar según el tubo y la aplicación. A medida que aumenta la distancia entre collarines, disminuye el diámetro de las cadenas, y vice versa. Si la distancia entre collarines está mal fijada, se reduce la eficiencia de la limpieza del tubo.
- Haga un ajuste de prueba de la golpeadora de cadenas, casquillo de la golpeadora y espaciador de collarines, como se muestra en la Figura 11. Las cadenas deben estar derechas. No debe ensamblar

las partes si las cadenas están retorcidas. Para prevenir un desgaste excesivo del extremo del cable, la punta del cable debe estar al ras con el extremo del collarín.

Revise la longitud del cable expuesto. Para evitar que el cable se vuelque y se dañe, no debe haber más de ¼ pulgada (6 mm) de cable expuesto. Con el fin de limitar la longitud de cable expuesto, puede cortar un trozo de vaina para usar como casquillo de la golpeadora. **Siempre use un casquillo de la golpeadora para reducir el desgaste en el extremo de la vaina.**

- Una vez que la golpeadora de cadenas esté correctamente instalada sobre el cable como se muestra en la Figura 11, apriete bien los tornillos de montaje hexagonales, con la llave hexagonal que se suministra. Coloque el tornillo de montaje de manera que la punta tope con el cable, y luego apriete en un 1/8 de vuelta a ¼ de vuelta más (45 grados a 90 grados). Si los tornillos de montaje no están bien apretados, se podría resbalar la golpeadora de cadenas y dañar el cable o perderse por el desagüe.

Diám. del cable	Nº de cadenas	Golpeadora		
		Nº eslabones/cadena	Diámetro nominal del tubo	Distancia entre collarines recomendada
1/4"	1	7	1 1/4" a 1 1/2" (32 mm a 40 mm)	1 3/4" (44,5 mm)
	2	7	1 1/2" a 2" (40 mm a 50 mm)	1 3/4" (44,5 mm)

Tabla de distancias entre collarines

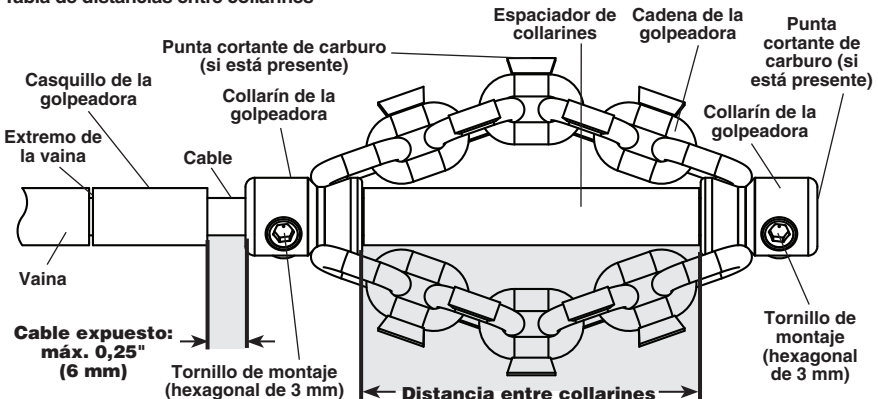


Figura 11 – Instalación y ajuste de la golpeadora de cadenas

Instalación de escobillas

Se ofrecen escobillas para diversos usos, como por ejemplo para limpiar el interior del tubo, para centrar la golpeadora de cadenas en el tubo y para distribuir un compuesto de revestimiento. Vea la información en la *Figura 10 B* para determinar cuál escobilla debe usar para cada tarea.

Las escobillas se pueden instalar con distintas configuraciones. Vea algunas de las opciones en la *Figura 12*.



Figura 12 A – Dos escobillas con espaciadores y una golpeadora de cadenas

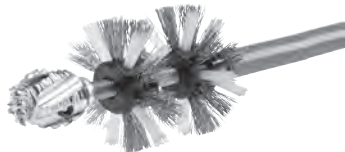


Figura 12 B – Dos escobillas con espaciadores

La instalación de escobillas se parece a la instalación de golpeadoras de cadenas. El collarín de la escobilla se coloca sobre el cable y se fija mediante tornillos de montaje bien apretados. Cuando la escobilla está en la punta del cable, el extremo del cable está al ras con el collarín de la escobilla. Si los tornillos de montaje se aflojan durante la operación, se puede mejorar la retención de la escobilla mediante un anillo de fijación de escobillas.

Como es el caso con las golpeadoras de cadenas, es importante reducir a un mínimo el tramo de cable expuesto (es decir, el cable que no está cubierto por la vaina). Mientras más cable esté expuesto, más probable es que el cable se vuelque durante el uso y se dañe. Limite el cable expuesto a no más de ¼ pulgada (6 mm); esto se fija con un casquillo hecho de la vaina (“casquillo de la golpeadora”).

Instalación de un cabezal penetrante

Los cabezales penetrantes se usan para crear un agujero dentro del bloqueo para lograr que vuelva a correr el agua por el desagüe y para que se pueda introducir una golpeadora de cadenas dentro de la zona bloqueada. En la *Figura 13* se muestra cómo instalar el cabezal penetrante.

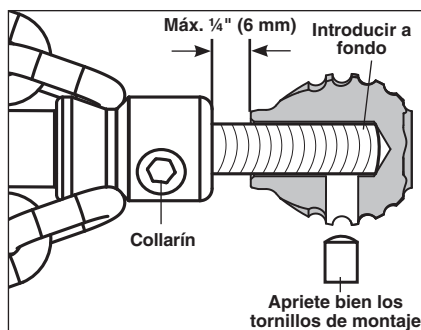


Figura 13 – Instalación del cabezal penetrante

Instrucciones de funcionamiento

⚠ ADVERTENCIA



Siempre use gafas de seguridad y guantes en buenas condiciones cuando use o manipule la máquina. Use guantes de látex o de goma, careta de protección facial, ropa de protección, respirador y otros equipos de protección apropiados cuando sospecha que el desagüe contiene sustancias químicas, bacterias u otras sustancias tóxicas o infecciosas. Esto reduce el riesgo de infecciones, quemaduras y otras lesiones graves.

No use el aparato con un taladro provisto de cordón. Un taladro con cordón aumenta el riesgo de choque eléctrico.

No permita que la golpeadora de cadenas o el extremo del cable dejen de girar cuando el interruptor del taladro está presionado. Esto puede tensar el cable excesivamente y hacer que el conjunto del cable se tuerza, se pliegue o se corte, lo cual podría provocar lesiones graves.

Mantenga buena higiene personal. No coma ni fume cuando manipule o haga funcionar la máquina. Después de manejar o hacer funcionar una máquina para limpiar desagües, use agua caliente y jabón para lavarse las manos y las partes del cuerpo expuestas a los líquidos del desagüe. Esto reduce el riesgo a la salud por exposición a materiales tóxicos o infecciosos.

Mantenga siempre una mano sobre el conjunto del cable cuando la máquina FlexShaft esté andando. Así se controla mejor el cable y ayuda a impedir que se tuerza, se pliegue o se corte, lo cual puede causar lesiones.

Coloque la salida del cable de la máquina FlexShaft a menos de 3 pies (1 metro) de la entrada del desagüe o apoye el conjunto del

cable expuesto apropiadamente cuando la máquina esté a más de tres pies (1 metro) de distancia. Si sitúa la máquina demasiado lejos, se reduce el control y el cable se podría torcer, plegar o cortar, lo cual puede causar lesiones por golpes o aplastamiento.

Una sola persona debe controlar tanto el conjunto del cable como el taladro a batería. No trabe el interruptor del taladro en la posición ON (encendido) durante su operación. Si el cable deja de rotar, el operario debe ser capaz de soltar el interruptor del taladro para impedir que el cable se tuerza, se pliegue o se corte. Esto reduce el riesgo de lesiones.

Siga las instrucciones de funcionamiento para reducir el riesgo de lesiones causadas por un cable torcido o cortado, latigazos por la rotación del extremo del cable, volcamiento de la máquina, quemaduras por sustancias químicas, infecciones y otros factores.

1. Asegure que la máquina y la zona de trabajo estén bien preparadas y que no hayan espectadores ni otras distracciones en el lugar de la tarea.
2. Jale el conjunto del cable para sacarlo de la máquina e ir metiéndolo en el desagüe. Tiene que haber por lo menos 1 pie (0,3 m) de cable dentro del desagüe para impedir que se salga la golpeadora de cadenas y dé latigazos al empezar a girar cuando se encienda la máquina.

Coloque el cable en una trayectoria directa entre la salida del cable de la máquina y la entrada del desagüe, de manera que no cambie de dirección y no quede más que una mínima longitud de cable expuesto. No doble el cable en ángulos agudos ya que esto aumenta el riesgo de que el cable se tuerza o se corte.

Si está usando una cámara para inspeccionar la limpieza del desagüe, puede ir introduciendo la cámara al mismo tiempo que el conjunto del cable. Normalmente se puede agarrar el conjunto del cable y la varilla de empuje de la cámara al mismo tiempo y se pueden introducir o retirar juntos. Mantenga la cámara por lo menos 1½ pies (0,5 m) detrás de la golpeadora de cadenas.

AVISO No permita que la golpeadora de cadenas en rotación choque contra el cabezal de la cámara ni la varilla de empuje, ya que podría dañarlos.

3. Adopte la posición correcta para mantener el control del conjunto del cable y del taladro (vea la Figura 14):

- Asegure que pueda soltar rápidamente el interruptor del taladro.
- Debe mantener una mano enguantada sobre el conjunto del cable para controlarlo y sostenerlo a medida que lo va metiendo dentro del desagüe y del atasco.
- Asegure que pueda mantener un buen equilibrio, que no tenga que estirarse por encima de la máquina y que no pueda caerse sobre la máquina, el desagüe, etc.

Esta posición de trabajo le ayuda a controlar el conjunto del cable y la máquina FlexShaft.



Figura 14 – Posición correcta para trabajar

4. Confirme que por lo menos un pie (0,3 m) del conjunto del cable se encuentra dentro del desagüe.
5. Confirme que el interruptor del taladro está en la dirección FOR (avance). Oprima y suelte el interruptor del taladro y observe en qué dirección está girando el mandril. La rotación del taladro debe coincidir con la flecha en el tambor (vea la Figura 4). No haga girar el cable en reversa excepto según se indica en estas instrucciones. El funcionamiento en reversa puede dañar el cable.
6. Coloque una mano sobre el conjunto del cable y la otra en la empuñadura del taladro.

7. La limpiadora de desagües FlexShaft limpia el tubo mediante una gran velocidad de rotación y reducido par de torsión. Los conjuntos de cable FlexShaft son más flexibles que otros tipos de cables de limpieza de desagües. La máquina FlexShaft funciona mejor cuando se aplica una leve presión, se introduce la golpeadora de cadenas lentamente dentro del atasco y luego se va retirando el cable. **Es importante dejar que la velocidad de rotación de la golpeadora de cadenas efectúe la limpieza del desagüe. No fuerce la golpeadora dentro del atasco.**
8. Avance y recuperación del conjunto del cable - lubricante FlexShaft

En algunos casos podría ser útil colocar lubricante FlexShaft de RIDGID sobre la superficie de la vaina antes de introducir el cable en el desagüe. Esto puede facilitar la introducción del conjunto del cable en el desagüe y aumentar la longitud de la limpieza. Para hacerlo, empape una toalla limpia con lubricante y sosténgala en la palma de la mano enguantada con la cual mete el conjunto del cable, y así vaya aplicando lubricante a medida que avanza el conjunto del cable (Figura 15). Vaya agregando más lubricante a la toalla según sea necesario durante la tarea.

Use solamente lubricante FlexShaft de RIDGID. Otros lubricantes podrían no ser apropiados para usar en un desagüe y podrían contaminar el agua.

Cuando recupere el conjunto del cable, use una toalla para ir limpiando la suciedad y los residuos de la vaina a medida que se jala el cable para sacarlo del desagüe y se vuelve a meter en el tambor.



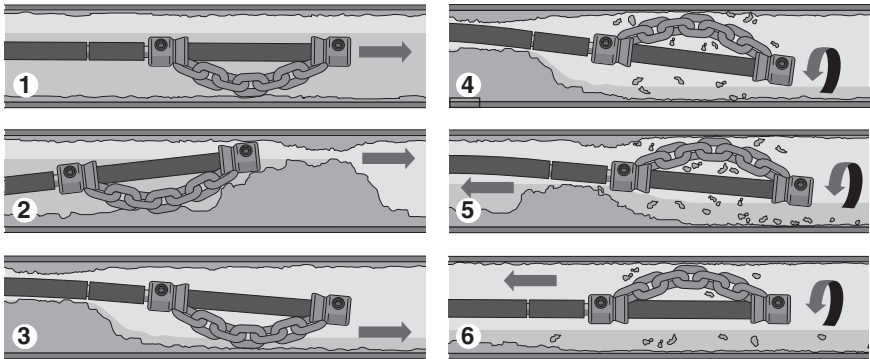
Figura 15 – Aplicación de lubricante sobre la vaina del cable

9. Rotación de la golpeadora de cadenas

Por lo general, se hace girar la golpeadora de cadenas para hacer la limpieza a medida que se va retirando el cable.

Eche a andar la rotación del cable y de la golpeadora de cadenas solamente después de introducir la golpeadora por lo menos 1 pie (0,3 m) dentro del desagüe. Para hacer rotar el cable, agarre bien el mango del taladro y oprima su interruptor. La persona que controla el conjunto del cable debe ser la misma que controla el interruptor del taladro. No haga funcionar la máquina con una persona que controla el conjunto del cable y otra que controla el taladro. No permita que se acumule el conjunto del cable fuera del desagüe ni deje que se curve o que forme un arco. Esto puede hacer que el cable se tuerza, se pliegue o se corte. El operario puede detener la rotación del cable en cualquier momento, al soltar el interruptor del taladro. Para deshacer un atasco, haga funcionar el cable a velocidad máxima para limpiar el tubo en forma óptima. **No fuerce la golpeadora de cadenas cuando la introduce en un atasco.** En algunos casos, si varía la velocidad se facilita el paso del cable a través de curvas. Si hace rotar la golpeadora de cadenas en pulsos breves en dirección FOR (avance) y REV (reversa) a medida que empuja el conjunto del cable por el tubo, entra más fácilmente a través del tubo y los atascos.

Las limpiadoras de desagües FlexShaft funcionan a través de los siguientes pasos, como se indica a continuación:



1. Haga avanzar la golpeadora de cadenas (en general, sin que esté girando) hacia la zona del desagüe que hay que limpiar.
2. Si hay un bloqueo, atraviéselo con la golpeadora de cadenas.
3. Si es posible, haga fluir un chorro de agua por el desagüe para que vaya arrastrando los recortes y residuos durante la limpieza del desagüe.
4. Haga girar el cable con la golpeadora de cadenas, a velocidad máxima.
5. Siga haciendo girar la golpeadora. Lentamente retire el conjunto del cable para que la golpeadora de cadenas pueda desmenuzar el atasco.
6. Siga retirando el conjunto del cable lentamente mientras gira la golpeadora, para limpiar las paredes del tubo.

Figura 16 – Pasos de la operación de limpieza con la golpeadora de cadenas

10. Avance el conjunto del cable para entrarlo en el desagüe, por lo general sin que esté rotando. Agarre la vaina cerca de donde sale del tambor de la máquina. Jale el conjunto del cable fuera de la máquina FlexShaft, unas 6 a 12 pulgadas (15 a 30 cm), hasta que el cable forme una leve curva. Debe mantener una mano enguantada sobre el conjunto del cable, para sostenerlo y controlarlo. Si el cable no está bien apoyado, el conjunto del cable se podría plegar o torcer, lo cual dañaría el cable o lesionaría al operario. Vaya metiendo el conjunto del cable por el desagüe (Figura 16, paso 1).
11. Siga haciendo avanzar el conjunto del cable hasta que sienta resistencia. Cuidadosamente haga pasar la golpeadora de cadenas a través del atasco. **No fuerce el conjunto del cable; si la golpeadora de cadenas no puede girar, no puede limpiar el desagüe.** Preste atención a la distancia recorrida por el cable. No permita que el cable alcance una alcantarilla principal, ya que el cable podría formar nudos o causar otros daños (Figura 16, paso 2).
12. Una vez que el desagüe esté permeable, si es posible, haga fluir un chorro de agua por el tubo para arrastrar los residuos y ayudar a limpiar el conjunto del cable antes de recuperarlo. Para hacerlo, abra una llave de agua en el sistema o use otros métodos. Preste atención al nivel del agua, ya que el desagüe podría volver a bloquearse (Figura 16, paso 3).
13. Una vez que la golpeadora de cadenas haya pasado el sitio del atasco y la zona que debe limpiar, oprima a fondo el interruptor del taladro para hacer girar la golpeadora. Lentamente jale el conjunto del cable para sacarlo del desagüe, permitiendo que la golpeadora de cadenas siga girando para limpiar las paredes del tubo y destrozando el atasco (Figura 16, paso 4 y paso 5). **Si el cable deja de girar, detenga el funcionamiento del taladro;** si no lo hace, el cable se podría torcer o plegar. Puede soltar el interruptor del taladro para detener la rotación del cable en cualquier momento.
 Controle la situación al palpar el conjunto del cable que sostiene con la mano y

mediante el sonido del taladro y de la golpeadora en el desagüe. Si el embrague integrado de la máquina FlexShaft o el embrague del taladro se sueltan, lo cual se indica por el ruido del embrague de la máquina o del taladro y por la posible vibración del taladro, es probable que el cable haya dejado de girar. Vea *Ajuste del embrague del taladro* en la sección *Preparación y operación del taladro a batería*. Cuando esto ocurra, suelte el interruptor del taladro para que el taladro deje de girar. En cuanto se detenga la rotación del taladro, el embrague automáticamente vuelve a conectarse. Sin embargo, si el extremo del cable está atascado, es necesario retirarlo del bloqueo antes de seguir con la tarea.

Es posible que tenga que retirar la golpeadora de cadenas fuera del atasco para dejar que recupere su velocidad máxima.

Si la golpeadora de cadenas se queda pegada, puede intentar liberarla al hacer funcionar el taladro en reversa durante un momento breve. No haga funcionar el taladro en reversa durante más de unos pocos segundos, para evitar que se dañe el cable. En algunos casos podría ser posible jalar el conjunto del cable y el bloqueo a mano para retirarlos del desagüe. Procure no dañar el conjunto del cable si realiza esta maniobra. Quite el bloqueo de la golpeadora y del cable y siga limpiando el desagüe como se indica más arriba.

Si está usando una cámara, no permita que choque la golpeadora de cadenas contra el cabezal de la cámara o la varilla de empuje.

En algunos casos, para limpiar el tubo más allá del atasco podría ser útil hacer funcionar el taladro en REVERSA brevemente.

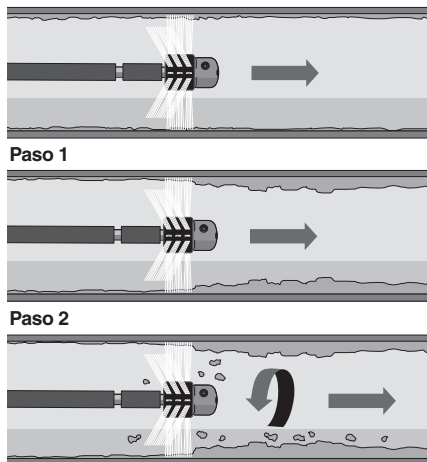
14. Siga limpiando el resto del desagüe a medida que retira el cable. Una vez que termine la limpieza del tubo, recupere el cable y vuelva a meterlo en la limpiadora de desagües. Preste atención cuidadosa ya que mientras retira el cable podría atascarse en un bloqueo (Figura 16, paso 6).
15. Esté pendiente de la marca en la vaina a medida que retira el conjunto del cable. Escuche cuidadosamente para detectar el ruido que hace la golpeadora al acercarse a la entrada del tubo. Cuando la golpeadora de cadenas se acerque a la apertura del desagüe, suelte el interruptor del taladro. Mientras esté girando la golpeadora

de cadenas, no la saque del desagüe. La golpeadora de cadenas podría dar latigazos y causar daños y lesiones graves.

16. Si es necesario hacer una limpieza completa, repita el procedimiento anterior.
17. El resto del conjunto del cable se jala a mano fuera del desagüe y se empuja para meterlo nuevamente en el tambor. Prepare la máquina para su transporte.

Uso de la máquina con escobillas

El uso de la máquina con escobillas es semejante al uso con una golpeadora de cadenas. Las escobillas se usan para una limpieza más detallada del desagüe. No se usan para eliminar un atasco. Para eliminar bloqueos y grandes acumulaciones de residuos es necesario usar primero una golpeadora de cadenas o usar algún otro método. Las golpeadoras de cadenas por lo general se hacen rotar a medida que se va retirando el cable del desagüe, pero las escobillas típicamente se hacen rotar a medida que el cable avanza por el tubo. Se trabaja de esta manera porque generalmente las escobillas ocupan toda la circunferencia del desagüe y van empujando los residuos hacia adelante. Vea los pasos generales en la Figura 17.



Paso 3

Figura 17 – Limpieza de las paredes del desagüe con una escobilla

1. Haga avanzar la escobilla (generalmente sin que esté en rotación) dentro del desagüe.

2. Cuando la escobilla se acerque a la parte del desagüe que se desea limpiar, si es posible haga correr agua por el desagüe para que vaya arrastrando los residuos durante la limpieza.
3. Haga girar a toda la velocidad el cable con la escobilla y lentamente los haga avanzar por el desagüe para limpiar las paredes del tubo.

Las escobillas también se pueden usar junto con golpeadoras de cadenas como dispositivos de centrado o para una limpieza combinada. Su uso depende de cada tarea y queda a criterio del operario.

También se pueden usar cabezales de punta penetrante junto con escobillas o golpeadoras de cadenas, a criterio del operario.

Drenaje del tambor

Si a medida que se extrae el cable del desagüe se va limpiando con una toalla, es mínima la necesidad de drenar el tambor. Si fuera necesario, extraiga la tapa del alojamiento del cable e invierta la limpiadora de desagües para dejar escurrir el líquido.

Transporte y almacenamiento

⚠ ADVERTENCIA Introduzca todo el conjunto del cable y golpeadora de cadenas dentro del tambor y coloque la tapa. Separe el taladro del eje de acoplamiento en la máquina. No deje el taladro conectado a la máquina durante su transporte, para evitar que la limpiadora de desagües se vuelque y se dañe.

La limpiadora de desagües se debe guardar bajo techo en un lugar seco o bien tapado si se guarda al aire libre. Almacene la máquina en un lugar bajo llave que esté fuera del alcance de los niños y de personas que no estén familiarizadas con las limpiadoras de desagües. Esta máquina puede causar lesiones graves en manos de personas no capacitadas para usarla.

Instrucciones de mantenimiento

⚠ ADVERTENCIA

El taladro se debe quitar de la limpiadora de desagües antes de hacerle cualquier mantenimiento.

Siempre use anteojos de seguridad y equipo de protección personal cuando realice tareas de mantenimiento.

Limpieza

Es conveniente usar una toalla para limpiar la suciedad y residuos del conjunto del cable a medida que se jala fuera del desagüe. Si fuera necesario, se puede sacar el conjunto del cable de la máquina y abrir el alojamiento para lavarlo y limpiarlo.

La máquina se debe limpiar cuando sea necesario, con jabón y agua caliente y/o con desinfectantes suaves. Deje que los líquidos escurran de la máquina para secarla.

Lubricación

Las limpiadoras de desagües FlexShaft están lubricadas de por vida en la fábrica.

Reemplazo del conjunto del cable

1. Coloque la limpiadora de desagües en posición horizontal.
2. Jale fuera del tambor todo el conjunto del cable.
3. Quite con una llave Philips los sujetadores que cierran el alojamiento. Extraiga la parte superior del alojamiento (*Figura 18*).

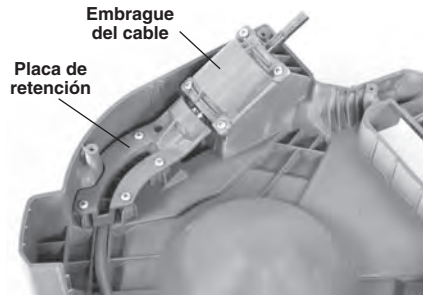


Figura 18 – La limpiadora de desagües sin la parte superior del alojamiento

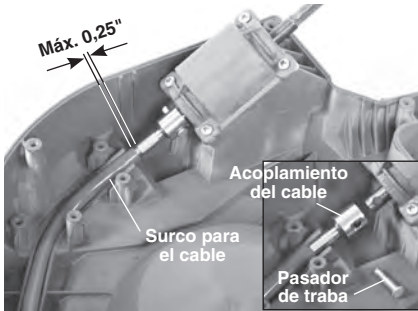


Figura 19 – Instalación de un cable de repuesto

4. Extraiga los sujetadores de la placa de retención. Quite la placa de retención (Figura 18).

5. Extraiga el pasador de traba del acoplamiento del cable.
6. Extraiga el acoplamiento del cable del eje de la caja de engranajes y quite el conjunto del cable.
7. Proceda en forma inversa para ensamblar el aparato. Introduzca a fondo el cable dentro del surco para el cable. No debe haber más de 0,25 pulgada (6 mm) entre el extremo de la vaina y el acoplador (vea la Figura 19).
8. Vuelva a colocar los sujetadores, sin apretarlos demasiado.

Resolución de problemas

PROBLEMA	POSIBLE RAZÓN	SOLUCIÓN
El cable se pliega o se corta.	El conjunto del cable se está forzando.	No fuerce el conjunto del cable. Siga las instrucciones de funcionamiento.
	La máquina FlexShaft o la golpeadora de cadenas no son los correctos para el diámetro de tubo.	Use una máquina FlexShaft o golpeadora de cadenas que correspondan al diámetro del tubo.
	El taladro está funcionando en reversa.	Use el taladro en reversa solamente si el cable se atasca en el tubo.
	El cable ha sido expuesto a ácidos y está corroído.	Limpie el conjunto del cable en forma rutinaria.
	El cable o la vaina están desgastados.	Reemplace el conjunto del cable desgastado.
	El conjunto del cable no está debidamente apoyado.	Apoye el cable correctamente. <i>Vea las instrucciones.</i>
	La golpeadora de cadenas no está bien instalada o ajustada.	Instale y ajuste la golpeadora de cadenas correctamente. <i>Vea las instrucciones.</i>
La máquina FlexShaft se bambolea o se mueve cuando se limpia el desagüe.	El taladro no es el que corresponde.	Seleccione correctamente el taladro. <i>Vea las instrucciones.</i>
	El suelo está desnivelado.	Coloque la máquina en una superficie nivelada y estable.

Servicio y reparaciones

⚠ ADVERTENCIA

Esta máquina puede tornarse insegura si se repara o se mantiene incorrectamente.

La mayoría de las necesidades de servicio de esta máquina aparecen en las *Instrucciones de mantenimiento*. Cualquier problema que

no aparezca en dicha sección debe encomendarse a un servicentro independiente de RIDGID. Use solamente repuestos RIDGID.

Para información sobre el servicentro independiente de RIDGID más cercano o si tiene preguntas sobre reparaciones, consulte la *Información de contacto* en este manual.

Equipo opcional

⚠ ADVERTENCIA

Para reducir el riesgo de lesiones graves, use solamente accesorios diseñados específicamente y recomendados para usar con la limpiadora de desagües FlexShaft K9-12 de RIDGID, como los equipos en la lista siguiente.

N.º de Cat.	Descripción
64283	Golpeadora, cable de ¼", tubo de 1¼" a 1½", una sola cadena, puntas de carburo
64293	Golpeadora, cable de ¼", tubo de 1¼" a 1½", una sola cadena
64288	Golpeadora, cable de ¼", tubo de 2", dos cadenas, puntas de carburo
64298	Golpeadora, cable de ¼", tubo de 2", dos cadenas
64338	Lubricante FlexShaft, 8 onzas, 12 por caja
64363	Tubería de acceso RIDGID a un tubo mural, de 1¼"
64368	Tubería de acceso RIDGID a un tubo mural, de 1½"
71838	Cabezal de bola penetrante, de 1¼" a 2"
71843	Cabezal penetrante articulado, de 1¼" a 2"
68933	Escobilla de nylon de 1,5" (40 mm) para cable de ¼" (6 mm)
68938	Escobilla de nylon de 2" (50 mm) para cable de ¼" (6 mm)
66568	Golpeadora de cadenas FlexShaft, cable de ¼", tubo de 1¼" a 1½", una sola cadena, puntas de carburo con cabezal penetrante
66573	Golpeadora de cadenas FlexShaft, cable de ¼", tubo de 2", dos cadenas, puntas de carburo con cabezal penetrante
76183	Conjunto de cable FlexShaft, ¼" por 30 pies de largo
64643	Material de vaina FlexShaft, ¼" por 12" de largo

Para una lista completa de los equipos RIDGID disponibles para estas máquinas, *vea en línea el catálogo de Ridge Tool* en RIDGID.com o consulte la Información de contacto.

Eliminación

Partes de las máquinas contienen materiales valiosos y se pueden reciclar. Hay compañías locales que se especializan en el reciclaje. Deseche los componentes de acuerdo con todos los reglamentos correspondientes. Para más información sobre la eliminación de desechos, comuníquese con la agencia local de eliminación de residuos.

RIDGID® K9-12 FlexShaft Drain Cleaning Machine**MANUFACTURER**

RIDGE TOOL COMPANY
400 Clark Street
Elyria, Ohio 44035-6001
U.S.A.
RTCRegulatory.Compliance@Emerson.com

EC DECLARATION OF CONFORMITY

We declare that the machines listed above, when used in accordance with the operator's manual, meet the relevant requirements of the Directives and Standards listed below.

DÉCLARATION DE CONFORMITÉ CE

Nous déclarons que lorsqu'elles sont utilisées selon leur mode d'emploi, les machines indiquées ci-dessus répondent aux exigences applicables des directives et normes ci-après.

DECLARACIÓN DE CONFORMIDAD DE LA CE

Declaramos que las máquinas listadas más arriba, cuando se usan conforme al manual del operario, cumplen con los requisitos pertinentes de las directrices y normas listadas a continuación.

PROHLÁŠENÍ O SHODĚ ES

Prohlašujeme, že výše uvedené nástroje a zařízení splňují při použití v souladu s jejich návodem k obsluze příslušné požadavky níže uvedených směrnic a nariadení.

EF-OVERENSSTEMMELSE SERKLÆRING

Vi erklærer, at de ovenfor anførte maskiner, ved brug i overensstemmelse med brugervejledningen, opfylder de relevante krav i de nedenfor anførte direktiver og standarder.

EG KONFORMITÄT SERKLÄRUNG

Wir erklären, dass die oben aufgeführten Maschinen, wenn sie entsprechend der Bedienungsanleitung verwendet werden, die einschlägigen Anforderungen der folgenden Richtlinien und Normen erfüllen.

ΔΗΛΩΣΗ ΣΥΜΜΟΡΦΩΣΗΣ ΕΚ

Δηλώνουμε ότι τα μηχανήματα που αναφέρονται παραπάνω, όταν χρησιμοποιούνται σύμφωνα με το εγχειρίδιο χειρισμού, πληρούν τις σχετικές απαιτήσεις των παρακάτω Οδηγιών και Προτύπων.

EY-VAATIMUSTENMUKAISUUSVAKUUTUS

Vakuutamme, että edellä luettelut koneet täyttävät käyttöohjekirjan mukaisesti käytettyinä seuraavien direktiivien ja standardien vaatimukset.

EU IZJAVA O SKLADNOSTI

Izjavljujemo da su gore navedeni strojevi, kada se koriste u skladu s priručnikom za korisnike, skladni s relevantnim zahtjevima dolje navedenih direktiva i standarda.

EK MEGFELELŐSÉGI NYILATKOZAT

Kijelentjük, hogy a fent felsorolt gépek - amennyiben a kezelési útmutatónak megfelelően hasznájják őket - megfelelnek az alább felsorolt irányelvek és Szabványok követelményeinek.

DICHIAZIONE DI CONFORMITÀ CE

Dichiaro che le macchine elencate in alto, se utilizzate in conformità con il manuale dell'operatore, soddisfano i relativi requisiti delle Direttive e degli Standard specificati di seguito.

EO СӨЙКЕСТІК МӘЛІМДЕМЕСІ

Біз жоғарыда көрсетілген құрылғылардың пайдаланушы нұсқаулығына сәйкес пайдаланылған жағдайда төменде көрсетілген Директивалар мен Стандарттардың тиісті талаптарына жауап беретінін мәлімдейміз.

EG-KONFORMITEITSVERKLARING

Hierbij verklaren wij dat de hierboven vermelde machines, mits gebruikt in overeenstemming met de handleiding, voldoen aan de relevante eisen van de hieronder vermelde richtlijnen en normen.

CE-SAMSVARSERKLÆRING

Vi erklærer at maskinene oppført over oppfylder de relevante kravene i direktiver og standarder oppført under dersom de brukes i henhold til bruksanvisningen.

AUTHORIZED REPRESENTATIVE

Ridge Tool Europe NV
Ondermemerslaan 5428
3800 Sint-Truiden, Belgium
europroductcompliance@emerson.com
+40 374132035

DEKLARACJA ZGODNOŚCI WE

Deklarujemy, że maszyny wymienione powyżej, gdy są używane zgodnie z podręcznikiem użytkownika, spełniają właściwe wymagania Dyrektywy i Standardów, wymienione poniżej.

DECLARAÇÃO DE CONFORMIDADE CE

Declaramos que as máquinas listadas acima, quando utilizadas de acordo com o manual do operador, cumprem os requisitos relevantes das Diretivas e Normas listadas abaixo.

DECLARAȚIE DE CONFORMITATE CE

Declarăm că mașina specificată mai jos, atunci când este utilizată în conformitate cu manualul de exploatare, îndeplinește cerințele relevante ale Directivelor și standardelor specificate mai jos.

ДЕКЛАРАЦИЯ СООТВЕТСТВИЯ ЕС

Мы заявляем, что инструменты, перечисленные выше, при условии использования согласно руководству по эксплуатации, отвечают соответствующим требованиям указанных ниже директив и стандартов.

ES PREHLÁSENIE O ZHODE

Vyhlašujeme, že stroje uvedené vyššie spĺňajú relevantné požiadavky smerníc a noriem uvedených nižšie, ak sa používajú podľa návodu na použitie.

IZJAVA ES O SKLADNOSTI

Izjavljamo, da zgoraj omenjeni stroji, ko se uporabljajo skladno z uporabniškim priručnikom, izpolnjujejo relevantne zahteve spodaj omenjenih direktiv in standardov.

EC DEKLARACIJA O USAGLAŠENOSTI

Izjavljujemo da gore navedeni strojevi, ako se koriste u skladu s priručnikom za korisnike, zadovoljavaju relevantne zahteve direktiva i standarda koji se navode dole.

EG-FÖRSÄKRAN OM ÖVERENSSTÄMMELSE

Vi meddelar att maskinen som anges ovan uppfyller de aktuella kraven i de angivna direktiven och standarderna nedan när den används enligt bruksanvisningen.

AB UYGUNLUK BEYANI

Yukanda listelenen makinelerin, kullanıcı klavuzuna göre kullanıldığında, aşağıda listelenen Direktiflerin ve Standartların ilgili gereksinimlerini karşıladığını beyan ederiz.

EÜ VASTAVUSDEKLARATSIOON

Kinnitame, et eelpool loetletud masinad vastavad alpool loetletud direktiivide ja standardite asjakohastele nõuetele, kui neid kasutatakse vastavalt kasutusjuhendile.

EK ATBILSTĪBAS DEKLARĀCIJA

Mēs apliecinām, ka iepriekšminētās iekārtas, izmantojot tās saskaņā ar operatora rokasgrāmatu, atbilst attiecīgajām tālāk norādīto direktīvu un standartu prasībām.

DEARBHŪ COMHRÉIREACHTA AN CE

Fógraímid go bhfuil na hinnill sa liosta thuas i gcomhréir le riachtanais ábhartha na dTeoracha agus na gCairdeán sa liosta thíos, ach iad a úsáid de réir an lámhleabhair don oibreoir.

EB ATTIKTIES DEKLARACIJA

Deklaruojame, kad pirmiau išvardytos mašinos, jei naudojamos pagal naudotojo vadovą, atitinka atitinkamus toliau išvardytų direktyvų ir standartų reikalavimus.

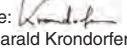
EO ДЕКЛАРАЦИЯ ЗА СЪОТВЕТСТВИЕ

Декларираме, че изброените по-горе машини, когато се използват в съответствие с Ръководство за оператора, отговарят на съответните изисквания на директивите и стандартите, изброени по-долу.



2006/42/EC



Signature: 
Name: Harald Krondorfer
Qualification: V.P. Engineering
Date: 08/11/2022

What is covered

RIDGID® tools are warranted to be free of defects in workmanship and material.

How long coverage lasts

This warranty lasts for the lifetime of the RIDGID® tool. Warranty coverage ends when the product becomes unusable for reasons other than defects in workmanship or material.

How you can get service

To obtain the benefit of this warranty, deliver via prepaid transportation the complete product to RIDGE TOOL COMPANY, Elyria, Ohio, or any RIDGID® AUTHORIZED INDEPENDENT SERVICE CENTER. Pipe wrenches and other hand tools should be returned to the place of purchase.

What we will do to correct problems

Warranted products will be repaired or replaced, at RIDGE TOOL'S option, and returned at no charge, or, if after three attempts to repair or replace during the warranty period the product is still defective, you can elect to receive a full refund of your purchase price.

What is not covered

Failures due to misuse, abuse or normal wear and tear are not covered by this warranty. RIDGE TOOL shall not be responsible for any incidental or consequential damages.

How local law relates to the warranty

Some states do not allow the exclusion or limitation of incidental or consequential damages, so the above limitation or exclusion may not apply to you. This warranty gives you specific rights, and you may also have other rights, which vary, from state to state, province to province, or country to country.

No other express warranty applies

This FULL LIFETIME WARRANTY is the sole and exclusive warranty for RIDGID® products. No employee, agent, dealer, or other person is authorized to alter this warranty or make any other warranty on behalf of the RIDGE TOOL COMPANY.



Full lifetime warranty (garantie légale étendue à la durée de vie du produit, voir conditions de garantie / legal warranty extended to the product lifecycle, see warranty conditions)

Parts are available online at Store.RIDGID.com

Ce qui est couvert

Les outils RIDGID® sont garantis contre tous vices de matériaux et de main d'œuvre.

Durée de couverture

Cette garantie est applicable durant la vie entière de l'outil RIDGID®. La couverture cesse dès lors que le produit devient inutilisable pour raisons autres que des vices de matériau ou de main d'œuvre.

Pour invoquer la garantie

Pour toutes réparations au titre de la garantie, il convient d'expédier le produit complet en port payé à la RIDGE TOOL COMPANY, Elyria, Ohio, ou bien le remettre à un réparateur RIDGID® indépendant agréé. Les clés à pipe et autres outils à main doivent être ramenés au lieu d'achat.

Ce que nous ferons pour résoudre le problème

Les produits sous garantie seront à la discrétion de RIDGE TOOL, soit réparés ou remplacés, puis réexpédiés gratuitement ; ou si, après trois tentatives de réparation ou de remplacement durant la période de validité de la garantie le produit s'avère toujours défectueux, vous aurez l'option de demander le remboursement intégral de son prix d'achat.

Ce qui n'est pas couvert

Les défaillances dues au mauvais emploi, à l'abus ou à l'usure normale ne sont pas couvertes par cette garantie. RIDGE TOOL ne sera tenue responsable d'aucuns dommages directs ou indirects.

L'influence de la législation locale sur la garantie

Puisque certaines législations locales interdisent l'exclusion des dommages directs ou indirects, il se peut que la limitation ou exclusion ci-dessus ne vous soit pas applicable. Cette garantie vous donne des droits spécifiques qui peuvent être éventuellement complétés par d'autres droits prévus par votre législation locale.

Il n'existe aucune autre garantie expresse

Cette GARANTIE PERPETUELLE INTEGRALE est la seule et unique garantie couvrant les produits RIDGID®. Aucun employé, agent, distributeur ou tiers n'est autorisé à modifier cette garantie ou à offrir une garantie supplémentaire au nom de la RIDGE TOOL COMPANY.

Qué cubre

Las herramientas RIDGID® están garantizadas contra defectos de la mano de obra y de los materiales empleados en su fabricación.

Duración de la cobertura

Esta garantía cubre a la herramienta RIDGID® durante toda su vida útil. La cobertura de la garantía caduca cuando el producto se torna inservible por razones distintas a las de defectos en la mano de obra o en los materiales.

Cómo obtener servicio

Para obtener los beneficios de esta garantía, envíe mediante porte pagado, la totalidad del producto a RIDGE TOOL COMPANY, en Elyria, Ohio, o a cualquier servicentro independiente autorizado de RIDGID. Las llaves para tubos y demás herramientas de mano deben devolverse a la tienda donde se adquirieron.

Lo que hacemos para corregir el problema

El producto bajo garantía será reparado o reemplazado por otro, a discreción de RIDGE TOOL, y devuelto sin costo; o, si aún resulta defectuoso después de haber sido reparado o sustituido tres veces durante el periodo de su garantía, Ud. puede optar por recibir un reembolso por el valor total de su compra.

Lo que no está cubierto

Esta garantía no cubre fallas debido al mal uso, abuso o desgaste normal. RIDGE TOOL no se hace responsable de daño incidental o consiguiente alguno.

Relación entre la garantía y las leyes locales

Algunos estados de los EE.UU. no permiten la exclusión o restricción referente a daños incidentales o consiguientes. Por lo tanto, puede que la limitación o restricción mencionada anteriormente no rija para Ud. Esta garantía le otorga derechos específicos, y puede que, además, Ud tenga otros derechos, los cuales varían de estado a estado, provincia a provincia o país a país.

No rige ninguna otra garantía expresa

Esta GARANTIA VITALICIA es la única y exclusiva garantía para los productos RIDGID®. Ningún empleado, agente, distribuidor u otra persona está autorizado para modificar esta garantía u ofrecer cualquier otra garantía en nombre de RIDGE TOOL COMPANY.

Ridge Tool Company

400 Clark Street
Elyria, Ohio 44035-6001
U.S.A.

Printed: 9/23
ECN002602

©2023, 2022 Ridge Tool Company.
RIDGID and the Emerson logo are registered trademarks of Emerson Electric Co. or its subsidiaries in the US and other countries.
Any other trademarks belong to their respective holders.

999-995-413.10
REV. E

RIDGID

EMERSON